



AAS-APV



AAS-MG1



AAS-MG12



AAS-MG13



AAS-2100



AAS-102



AAS-103/103A



AAS-6



AAS-16



AAS-MG1S20



AAS-H12N



AAS-108



AAS-156



AAS-M2N



AAS-BT-RN



AAS-BT-RN3



AAS-M3N



AAS-101



AAS-110



AAS-155/155B



AAS-T2/FBD



AAS-T1/FBC



AAS-BIA



AAS-560A



AAS-21



AAS-31K/31U



AAS-120/120P



AAS-103



AAS-1527



AAS-SZB



AAS-CAM



AAS-108U



AAS-112



AAS-128/128P



AAS-113



AAS-124



AAS-125



AAS-960



AAS-560D



AAS-202/208



AAS-4702



AAS-M74D



AAS-802



AAS-502



AAS-104



AAS-58U/59U



AAS-102U



AAS-HJ92N



AAS-606



AAS-RFL85N



AAS-109/8U



AAS-58B/59B



AAS-AL



AAS-M7N/M74N



AAS-109B/8B-1



AAS-10T/10R



AAS-152



AAS-WB2



AAS-LPS



AAS-XB



AAS-6SB/SB



AAS-6CK/16



AAS-6A



AAS-6-CH-16



AAS-BT-AR



AAS-6B



AAS-6C



AAS-6BG



AAS-JY1



AAS-JY1-C



AAS-JY5



AAS-JY4



AAS-JY1-T



AAS-JY3



AAS-204B



AAS-212



AAS-WE



AAS-LWR-22



AAS-HRN



AAS-FS



AAS-LW



AAS-GEA



Mechanical seal **AAS-APV**

Temperature: -20°C~150°C

Pressure: ≤ 0.8 mpa

Speed: ≤ 15 m/sec

Materials

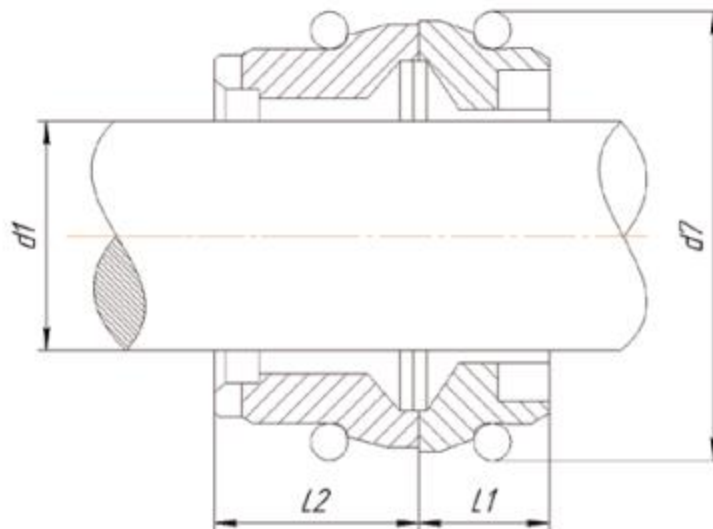
Rotary ring: SiC.

Stationary ring: Carbon/SiC.

Bellows: EPDM/VIT

AAS-APV	d1 (H6)	d7 (h8)	L1	L2
	25	46	11.5	17,5
	35	56	11.5	17,5

It is applied for APV W+ pump series





Mechanical seal **AAS-MG1**

Temperature: -20°C~140°C

Pressure: ≤ 1.4 mpa

Speed: ≤ 15m/sec

Materials

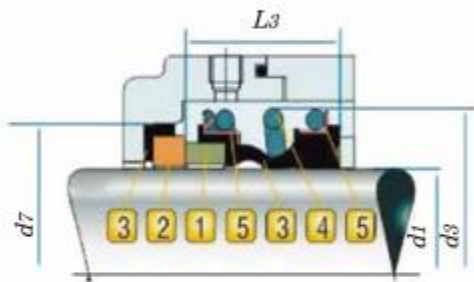
Rotary ring: Carbon / SIC / TC

Stationary ring: Ceramic / SIC / TC.

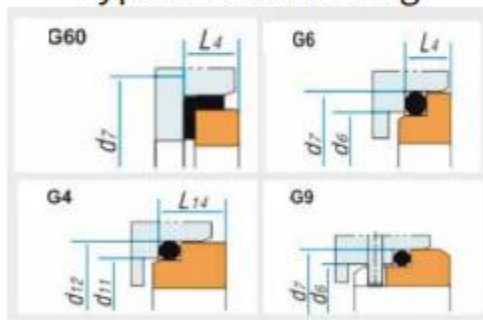
Bellows: NBR / EPDM / VITON.

Spring: SS304 / SS316.

Metal parts: SS304 / SS316.



Type of counter ring



Single end seal (pump cup) MG1, with an elastomeric-bellows, unloaded, with a central spring, independent of the direction of rotation of the shaft.

Used in centrifugal pumps, mixers, and other equipment that includes rotating mechanisms for water and drainage water.

It can be used for Alfa Laval, Ebara (3M, DWO), Lowara, KSB (Etanorm, Etachrom), WILO (MVI, MHI, IPL/DPL), Grundfos (CDM), Saer (IP) pumps and many others.

Analog of mechanical seals: Burgmann MG1, AESSEAL B02, Flowserve PacSeal 190, ROTEN L3, Vulcan Type 19, ANGA A1, Sterling SMG1, Hermetica 212.N2

d1 (h6)	d3 (Max)	d7 H8	L3 (±0.5)	L4	d12 (H8)	L14
8	21,0	21	14,0	6,0		
10	22,5	21	14,5	6,6	19,2	6,6
12	25,0	23	15,0	6,6	21,6	5,6
14	28,5	25	17,0	6,6	24,6	5,6
15	28,5	27	17,0	6,6	24,6	6,6
16	28,5	27	17,0	6,6	28,0	7,5
18	32,0	33	19,5	7,5	30,0	8,0
19	36,5	35	21,5	7,5	35,0	7,5
20	37,0	35	21,5	7,5	35,0	7,5
22	37,0	37	21,5	7,5	35,0	7,5
24	42,5	39	22,5	7,5	38,0	7,5
25	42,5	40	23,0	7,5	38,0	7,5
28	49,0	43	26,5	7,5	42,0	9,0
30	49,0	45	26,5	7,5	45,0	10,5
32	53,5	48	27,5	7,5	48,0	10,5
33	53,5	48	27,5	7,5	50,0	11,0
35	57,0	50	28,5	7,5	52,0	11,0
38	59,0	56	30,0	9,0	55,0	10,3
40	62,0	58	30,0	9,0	58,0	10,8
42	65,5	61	30,0	9,0	62,0	12,0
43	65,5	61	30,0	9,0	62,0	12,0
45	68,0	63	30,0	9,0	64,0	11,6
48	70,5	66	30,5	9,0	68,4	11,6
50	74,0	70	30,5	9,5	69,3	11,6
53	78,5	73	33,0	11,0	72,3	12,3
55	81,0	75	35,0	11,0	75,4	13,3
58	85,5	78	37,0	11,0	78,4	13,3
60	88,5	80	38,0	11,0	80,4	13,3
65	93,5	85	40,0	11,0	85,4	13,0
68	96,5	90	40,0	11,3	91,5	13,7
70	99,5	92	40,0	11,3	92,0	13,0
75	107,0	97	40,0	11,3	99,0	14,0
80	112,0	105	40,0	12,0	104,0	15,0
85	120,0	110	41,0	14,0	109,0	14,8
90	127,0	115	45,0	14,0	114,0	14,8
95	132,0	120	46,0	14,0	120,3	15,8
100	137,0	125	47,0	14,0	123,3	15,8



Mechanical seal **AAS-MG12**

Temperature: -20°C~140°C

Pressure: ≤1.4 mpa

Speed: ≤15m/sec

Materials

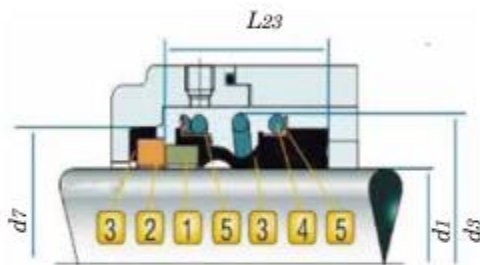
Rotary ring: Carbon / SIC / TC

Stationary ring: Ceramic / SIC / TC.

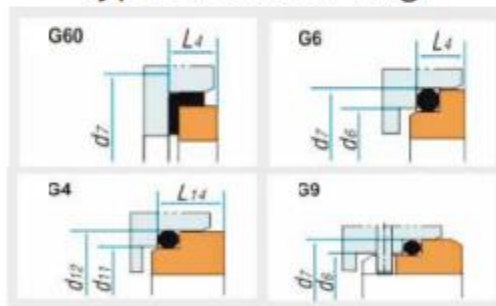
Bellows: NBR / EPDM / VITON.

Spring: SS304 / SS316.

Metal parts: SS304 / SS316.



Type of counter ring



Single mechanical seal AAS-MG12

Used in pumps: Alfa Laval, Ebara (3M, DWO), Lowara, KSB (Etanorm, Etachrom), WILO (MVI, MHI, IPL/DPL), Grundfos (CDM), Saer (IP), and many others.

Analogue: Burgmann MG12, AESSEAL B012, Flowserve Pac-Seal 192, ROTEN 3, Vulcan Type 192, ANGA A1, Sterling SMG12, Hermetica 212.

d1 (H6)	d3 (Max)	d7 (H8)	L23 (±0.5)	L4	d12 (H8)	L14
10	22,5	21,0	25,9	6,6	19,2	6,6
12	25,0	23,0	25,9	6,6	21,6	5,6
14	28,5	25,0	28,4	6,6	24,6	5,6
15	28,5	27,0	28,4	6,6	24,6	6,6
16	28,5	27,0	28,4	6,6	28,0	7,5
18	32,0	33,0	30,0	7,5	30,0	8,0
19	36,5	35,0	30,0	7,5	35,0	7,5
20	37,0	35,0	30,0	7,5	35,0	7,5
22	37,0	37,0	30,0	7,5	35,0	7,5
24	42,5	39,0	32,5	7,5	38,0	7,5
25	42,5	40,0	32,5	7,5	38,0	7,5
28	49,0	43,0	35,0	7,5	42,0	9,0
30	49,0	45,0	35,0	7,5	45,0	10,5
32	53,5	48,0	35,0	7,5	48,0	10,5
33	53,5	48,0	35,0	7,5	50,0	11,0
35	57,0	50,0	35,0	7,5	52,0	11,0
38	59,0	56,0	36,0	9,0	55,0	10,3
40	62,0	58,0	36,0	9,0	58,0	10,8
42	65,5	61,0	36,0	9,0	62,0	12,0
43	65,5	61,0	36,0	9,0	62,0	12,0
45	68,0	63,0	36,0	9,0	64,0	11,6
48	70,5	66,0	36,0	9,0	68,4	11,6
50	74,0	70,0	38,0	9,5	69,3	11,6
53	78,5	73,0	36,5	11,0	72,3	12,3
55	81,0	75,0	36,5	11,0	75,4	13,3
58	85,5	78,0	41,5	11,0	78,4	13,3
60	88,5	80,0	41,5	11,0	80,4	13,3
65	93,5	85,0	41,5	11,0	85,4	13,0
68	96,5	90,0	41,2	11,3	91,5	13,7
70	99,5	92,0	48,7	11,3	92,0	13,0
75	107,0	97,0	48,7	11,3	99,0	14,0
80	112,0	105,0	48,0	12,0	104,0	15,0
85	120,0	110,0	46,0	14,0	109,0	14,8
90	127,0	115,0	51,0	14,0	114,0	14,8
95	132,0	120,0	51,0	14,0	120,3	15,8
100	137,0	125,0	51,0	14,0	123,3	15,8



Mechanical seal AAS-MG13

Temperature: -20°C~140°C

Pressure: ≤ 1.4 mpa

Speed: ≤ 15 m/sec

Materials

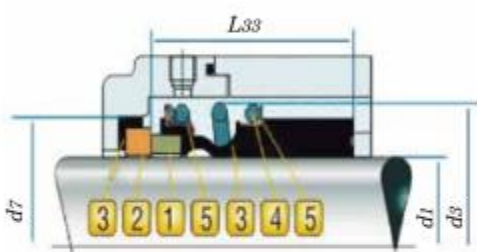
Rotary ring: Carbon / SIC / TC

Stationary ring: Ceramic / SIC / TC.

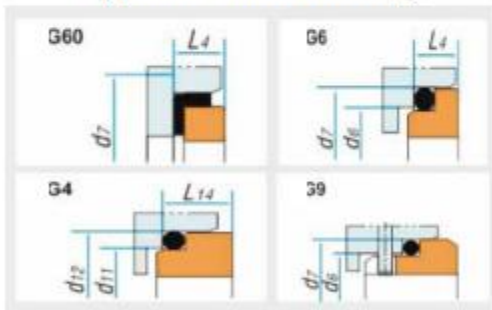
Bellows: NBR / EPDM / VITON.

Spring: SS304 / SS316.

Metal parts: SS304 / SS316.



Type of counter ring



Single mechanical seal AAS-MG13

Used in pumps: Alfa Laval, Ebara (3M, DWO), Lowara, KSB (Etanorm, Etachrom), WILO (MVI, MHI, IPL/DPL), Grundfos (CDM), Saer (IP), and many others.

Analogue: Burgmann MG13, AESSEAL B02, Flowserve Pac-Seal 193, ROTEN L3, Vulcan Type 193, ANGA A1, Sterling SMG13, Hermetica 212.

d1	d3	d7	L33	L4	d12	114
H6	(Max)		(± 0.5)		(H8)	
10	22,5	21	33,4	6,6	19,2	6,6
12	25,0	23	33,4	6,6	21,6	5,6
14	28,5	25	33,4	6,6	24,6	5,6
15	28,5	27	33,4	6,6	24,6	6,6
16	28,5	27	33,4	6,6	28,0	7,5
18	32,0	33	37,5	7,5	30,0	8
19	36,5	35	37,5	7,5	35,0	7,5
20	37,0	35	37,5	7,5	35,0	7,5
22	37,0	37	37,5	7,5	35,0	7,5
24	42,5	39	42,5	7,5	38,0	7,5
25	42,5	40	42,5	7,5	38,0	7,5
28	49,0	43	42,5	7,5	42,0	9
30	49,0	45	42,5	7,5	45,0	10,5
32	53,5	48	47,5	7,5	48,0	10,5
33	53,5	48	47,5	7,5	50,0	11
35	57,0	50	47,5	7,5	52,0	11
38	59,0	56	46,0	9	55,0	10,3
40	62,0	58	46,0	9	58,0	10,8
42	65,5	61	51,0	9	62,0	12
43	65,5	61	51,0	9	62,0	12
45	68,0	63	51,0	9	64,0	11,6
48	70,5	66	51,0	9	68,4	11,6
50	74,0	70	50,5	9,5	69,3	11,6
53	78,5	73	59,0	11	72,3	12,3
55	81,0	75	59,0	11	75,4	13,3
58	85,5	78	59,0	11	78,4	13,3
60	88,5	80	59,0	11	80,4	13,3
65	93,5	85	69,0	11	85,4	13
68	96,5	90	68,7	11,3	91,5	13,7
70	99,5	92	68,7	11,3	92,0	13
75	107,0	97	68,7	11,3	99,0	14
80	112,0	105	78,0	12	104,0	15
85	120,0	110	76,0	14	109,0	14,8
90	127,0	115	76,0	14	114,0	14,8
95	132,0	120	76,0	14	120,3	15,8
100	137,0	125	76,0	14	123,3	15,8

Mechanical seal **AAS-2100**

Temperature: -20°C~140°C

Pressure: ≤1.6 mpa

Speed: ≤10m/sec

Materials

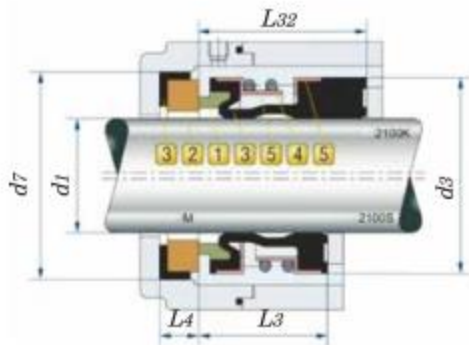
Rotary ring: Carbon / SIC / TC

Stationary ring: Ceramic / SIC / TC.

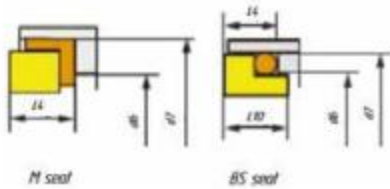
Bellows: NBR / EPDM / VITON.

Spring: SS304 / SS316.

Metal parts: SS304 / SS316.



Type of counter ring



The rubber bellows shaft seal AAS-2100

is a compact mechanical seal with a single central spring and a rubber elastomeric bellows that ensures maximum efficiency and performance of your equipment in all conditions.

It can be used for Gorman-Rupp, Ebara (3M), WILO, ONC, SNC, ONC pumps and many others.

Analog of mechanical seals: John Crane 2100, 2100S, 2100K, Flowserve Pac-Seal 140 / 142 / 143, ANGA A4 / A41, Vulcan Type 14 / 142 / 143, Sterling 540 / 542 / 543, AESSEAL B09U

	d1 (H6)	d3	d7 (Max)	L3 (h8)	L32 (±0.5)	L4
	10	20,0	21,0	15,0	27,5	5,0
	12	22,0	23,0	15,0	26,5	6,0
	14	24,0	25,0	15,0	29,0	6,0
	15	25,0	26,0	15,0	29,0	6,0
	16	26,0	27,0	15,0	29,0	6,0
	18	32,0	33,0	20,0	31,5	6,0
	20	34,0	35,0	20,0	31,5	6,0
	22	36,0	37,0	20,0	31,5	6,0
	24	38,0	39,0	20,0	34,0	6,0
	25	39,0	40,0	20,0	34,0	6,0
	28	42,0	43,0	26,0	36,5	6,0
	30	44,0	45,0	26,0	35,5	7,0
	32	46,0	48,0	26,0	35,5	7,0
	33	47,0	48,0	26,0	35,5	7,0
	35	49,0	50,0	26,0	34,5	8,0
	38	54,0	56,0	30,0	37,0	8,0
	40	56,0	58,0	30,0	37,0	8,0
	43	59,0	61,0	30,0	37,0	8,0
	45	61,0	63,0	30,0	37,0	8,0
	48	64,0	66,0	30,0	35,0	10,0
	50	66,0	70,0	30,0	37,5	10,0
	53	69,0	73,0	30,0	37,5	10,0
	55	71,0	75,0	30,0	37,5	10,0
	58	78,0	78,0	33,0	42,5	10,0
	60	80,0	80,0	33,0	40,5	12,0
	63	83,0	83,0	33,0	40,5	12,0
	65	85,0	85,0	33,0	40,5	12,0
	68	88,0	90,0	33,0	40,5	12,0
	70	90,0	92,0	33,0	48,0	12,0
	75	99,0	97,0	40,0	48,0	12,0



Mechanical seal **AAS-102**

Temperature: -20°C~80°C

Pressure: ≤0.3 mpa

Speed: ≤3000 rpm

Materials

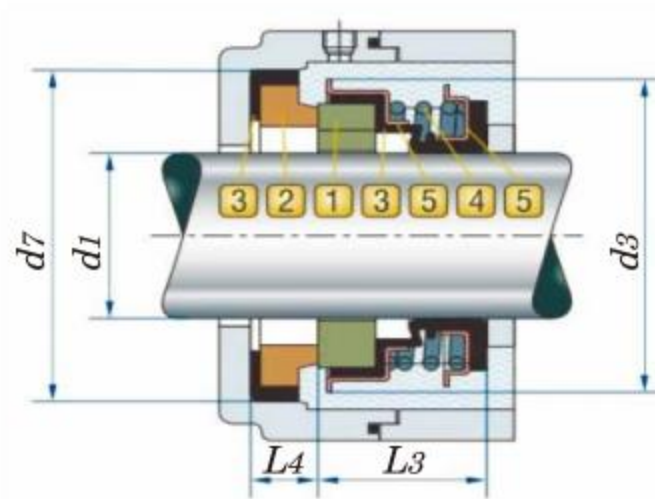
Rotary ring: Ceramic

Stationary ring: Ceramic

Bellows: NBR

Spring: SS304 / SS316.

Metal parts: SS304 / SS316.



d1 (H6)	d3 (Max)	d7 (h8)	L3 (±0.5)	L4	L7
14	33	35	17.5	7	13
18	37	40	17.5	7	13
20	38	40	18.0	7	15



Mechanical seal **AAS-103**

Temperature: -20°C~120°C

Pressure: ≤ 0.4 mpa

Speed: ≤ 3000 rpm

Materials

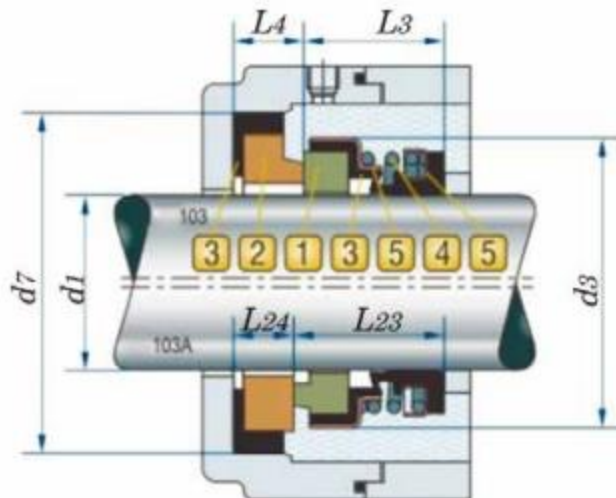
Rotary ring: Car/Cer/SiC

Stationary ring: Ceramic/SiC

Bellows: NBR/EPDM .

Spring: SS304 / SS316.

Metal parts: SS304 / SS316.



d1	d3	d7	L3	L4	L23	L24
10	22	26	15	5,5	15,5	5
12	23,5	26	15	5,5	15,5	5
12	23,5	26	15	8	15	8
14	27	30	13,5	7	15	5,5
17	30	35	14	7	15,2	5,8
18	30	35	14	7	15,2	5.8



Mechanical seal **AAS-6**

Temperature: -20°C~150°C

Pressure: ≤ 0.5 mpa

Speed: ≤ 3600 rpm

Materials

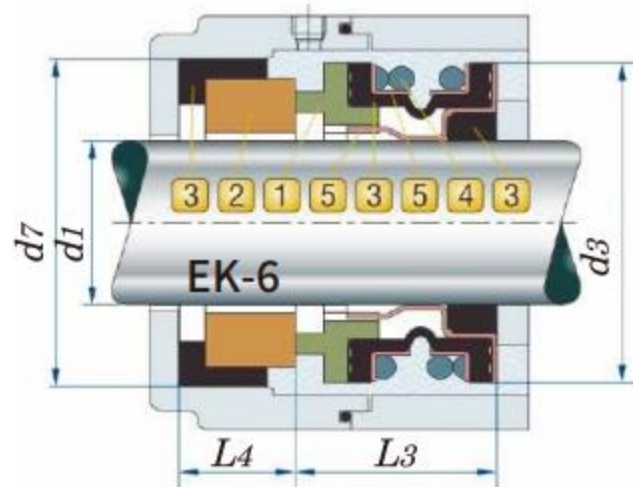
Rotary ring: Carbon / SIC.

Stationary ring: Ceramic/SIC

Bellows: NBR / EPDM / VITON.

Spring: SS304 / SS316.

Metal parts: SS304 / SS316.



d1	d1(mm)	d2	d3	d7	L3	L4
0.375	9,53	20,60	27,00	25,40	16,66	7,92
0.437	11,10	20,60	27,00	25,40	16,66	7,92
0.500	12,70	20,60	27,00	25,40	16,66	7,92
0.500S	12,70	20,60	27,00	25,40	16,66	6,35
0.562	14,27	23,80	30,90	31,75	18,24	10,31
0.625	15,87	23,80	30,90	31,75	18,24	10,31
0.687	17,45	27,00	34,10	34,93	18,24	10,31
0.750	19,05	27,00	34,10	34,93	18,24	10,31
0.875	22,22	33,30	42,80	38,10	20,62	10,31
1.000	25,40	33,30	42,80	41,28	20,62	11,10



Mechanical seal **AAS-16**

Temperature: -20°C~150°C

Pressure: ≤ 0.5 mpa

Speed: ≤ 10 m/sec

Materials

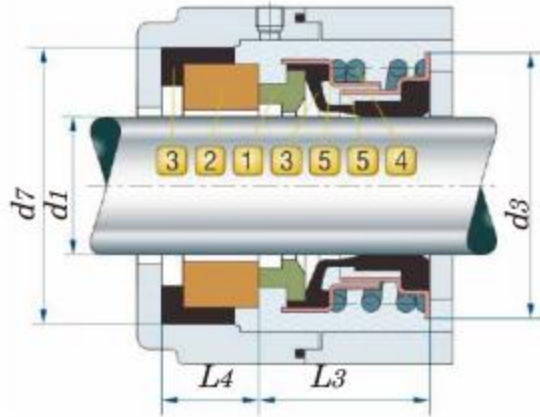
Rotary ring: Carbon / SIC.

Stationary ring: Ceramic/SIC

Bellows: NBR / EPDM / VITON.

Spring: SS304 / SS316.

Metal parts: SS304 / SS316.



d1	d1(mm)	d3	d7	L3	L4
0.375	9,53	23,60	22,23	16,66	7,14
0.375S	9,53	23,60	22,23	16,66	6,35
0.437	11,10	23,60	25,40	16,66	7,92
0.500	12,70	23,60	25,40	16,66	7,92
0.500S	12,70	23,60	25,40	16,66	6,35
0.625	15,87	30,10	31,75	18,24	10,31
0.750	19,05	33,10	34,93	18,24	10,31
0.875	22,22	36,30	38,10	20,62	10,31
1.000	25,40	39,40	41,28	20,62	11,10



Mechanical seal **AAS-MG1S20**

Temperature: -20°C~140°C

Pressure: ≤1.6 mpa

Speed: ≤10m/sec

Materials

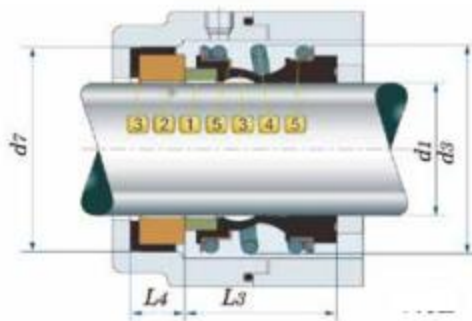
Rotary ring: Carbon / SIC.

Stationary ring: Ceramic/SIC/TC

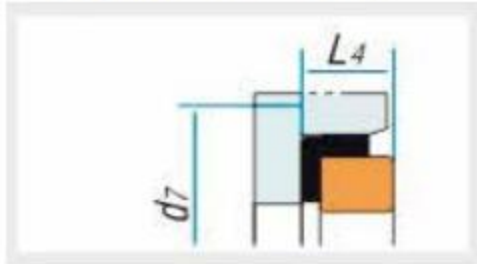
Bellows: NBR / EPDM / VITON.

Spring: SS304 / SS316.

Metal parts: SS304 / SS316.



Type of counter ring



Single mechanical seal AAS-MG1S20

Used in pumps: Alfa Laval, Ebara, Lowara, KSB (Etanorm, Etachrom), WILO (MVI, MHI, IPL/DPL), Grundfos (CDM), Saer (IP), and many others.

Analogue: Burgmann MG1S20

d1	d3	d7	L3	L4
H6	(Max)		(±0.5)	
10	22,50	24,60	25,40	8,74
12	25,00	27,79	25,40	8,74
13	25,00	27,79	25,40	8,74
14	28,50	30,95	25,40	10,32
15	28,50	30,95	25,40	10,32
16	28,50	30,95	25,40	10,32
18	32,00	34,15	25,40	10,32
19	37,00	34,15	25,40	10,32
20	37,00	35,70	25,40	10,32
22	37,00	37,30	25,40	10,32
24	42,50	40,50	25,40	10,32
25	42,50	40,50	25,40	10,32
28	49,00	47,63	33,34	11,99
30	49,00	50,80	33,34	11,99
32	53,50	50,80	33,34	11,99
33	53,50	53,98	33,34	11,99
34	57,00	53,98	33,34	11,99
35	57,00	53,98	33,34	11,99
38	59,00	57,15	33,34	11,99
40	62,00	60,35	33,34	11,99
42	65,50	63,50	40,48	11,99
43	65,50	63,50	40,48	11,99
44	68,00	63,50	40,48	11,99
45	68,00	63,50	40,48	11,99
48	70,50	66,70	40,48	11,99
50	74,00	69,85	40,48	11,99
53	78,50	73,05	41,00	13,50
55	81,00	76,20	41,00	13,50
58	85,50	79,40	41,00	13,50
60	88,50	79,40	41,00	13,50
63	90,50	82,55	49,00	13,50
65	93,50	92,10	49,00	15,90
68	96,50	95,25	49,00	15,90
70	99,50	95,25	49,00	15,90
73	104,00	98,45	49,00	15,90
75	107,00	101,65	49,00	15,90
80	112,00	114,30	56,00	20,00
85	120,00	117,50	56,00	20,00
90	127,00	123,85	59,00	20,00
95	132,00	127,00	59,00	20,00
100	137,00	133,35	62,00	20,00

Mechanical seal **AAS-H12N**

Temperature: -40°C~220°C

Pressure: ≤ 1.4 mpa

Speed: ≤ 15 m/sec



Materials

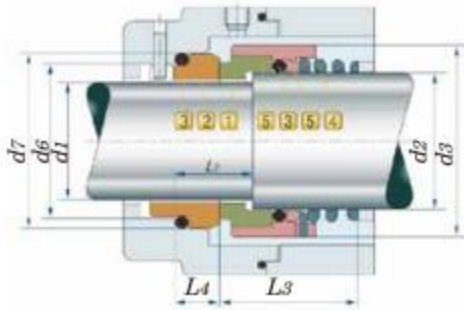
Rotary ring: Carbon / SIC.

Stationary ring: Ceramic/SUS/SIC/TC

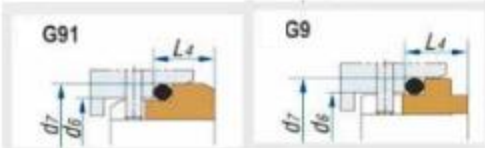
Bellows: NBR / EPDM / VITON.

Spring: SS304 / SS316.

Metal parts: SS304 / SS316.



Type of counter ring



d1	d2	d3	d6	d7	L2	L3	L4
H6		(MAX)		(H8)		(±0.5)	
12	16,00	26,00	19,00	23,00	18,00	26,50	10,00
14	18,00	31,00	21,00	25,00	18,00	29,50	10,00
16	20,00	34,00	23,00	27,00	18,00	31,00	10,00
18	22,00	36,00	27,00	33,00	20,00	32,50	11,50
20	24,00	38,00	29,00	35,00	20,00	32,50	11,50
22	26,00	40,00	31,00	37,00	20,00	32,50	11,50
24	28,00	42,00	33,00	39,00	20,00	32,50	11,50
25	30,00	44,00	34,00	40,00	20,00	33,50	11,50
28	33,00	47,00	37,00	43,00	20,00	35,50	11,50
30	35,00	49,00	39,00	45,00	20,00	35,50	11,50
32	38,00	54,00	42,00	48,00	20,00	39,50	11,50
33	38,00	54,00	42,00	48,00	20,00	39,50	11,50
35	40,00	56,00	44,00	50,00	20,00	43,50	11,50
38	43,00	59,00	49,00	56,00	23,00	46,00	14,00
40	45,00	61,00	51,00	58,00	23,00	48,00	14,00
43	48,00	64,00	54,00	61,00	23,00	51,00	14,00
45	50,00	66,00	56,00	63,00	23,00	55,00	14,00
48	53,00	69,00	59,00	66,00	23,00	55,00	14,00
50	55,00	71,00	62,00	70,00	25,00	58,00	15,00
53	58,00	78,00	65,00	73,00	25,00	60,00	15,00
55	60,00	79,00	67,00	75,00	25,00	60,00	15,00
58	63,00	83,00	70,00	78,00	25,00	60,00	15,00
60	65,00	85,00	72,00	80,00	25,00	60,00	15,00
63	68,00	88,00	75,00	83,00	25,00	60,00	15,00
65	70,00	90,00	77,00	85,00	25,00	61,00	15,00
70	75,00	98,00	83,00	92,00	28,00	63,00	18,00
75	80,00	103,00	88,00	97,00	28,00	68,00	18,00
80	85,00	109,00	95,00	105,00	28,00	68,00	18,20

Single mechanical end unit with conical spring AAS-H12N

Apply to Hecker HN 430N pumps, CR, NBG, Grundfos, TP, NKG, CLM, CRN series pumps and so on.

Analogue: Burgmann H12N/H17GN, Flowserve 43D seal, Latty T901D seal, Roplan R62D seal, Roten, AESSEAL T01DB.



Mechanical seal **AAS-108**

Temperature: -20°C~180°C

Pressure: ≤ 0.6 mpa

Speed: ≤ 10 m/sec

Materials

Rotary ring: Carbon/SiC/TC/Ceramic.

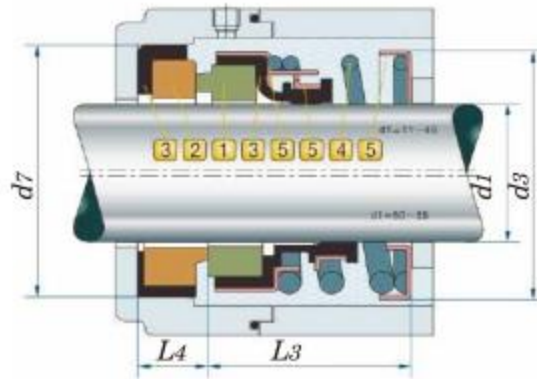
Stationary ring: Ceramic/SiC/TC .

Bellows: NBR / EPDM / VITON.

Spring: SS304 / SS316.

Metal parts: SS304 / SS316.

d1 (H6)	d3 (Max)	d7 (h8)	L3	L4
8	17,00	15,00	14,70	5,30
8	17,00	21,00	14,70	5,30
9	21,00	21,00	14,70	5,30
10	21,00	21,00	14,70	5,30
11	23,00	24,00	14,70	5,30
12	23,00	26,00	14,70	5,30
14	25,50	26,00	19,70	5,30
15	27,50	27,00	19,70	5,30
16	27,50	27,00	19,70	5,30
17	32,50	33,00	19,70	5,30
17	32,50	35,00	19,70	5,30
18	32,50	33,00	19,70	5,30
19	33,00	35,00	19,20	5,80
20	33,00	35,00	19,20	5,80
22	38,00	37,00	21,80	6,20
25	40,00	40,00	25,00	7,50
28	43,00	43,00	27,00	8,00
30	45,50	45,00	27,00	8,00
35	51,00	50,00	29,00	8,00
40	57,50	58,00	30,50	9,50
45	63,00	63,00	30,50	9,50
50	71,00	70,00	33,50	11,50
55	75,50	75,00	33,50	11,50



Single mechanical seal AAS-108

Used in Hidrostal, Wilo, Inbeat, Grundfos, Haigh, Hilde, INOX, Inoxpa, Jabsco, Johnson and another pumps.

Analogue: Burgmann MG910/ D1-G50, John Crane 1A (N SEAT), 100 Flowserve, Latty T100, Roten 51.



Mechanical seal **AAS-156**

Temperature: -20°C-80°C

Pressure: ≤ 0.4 mpa

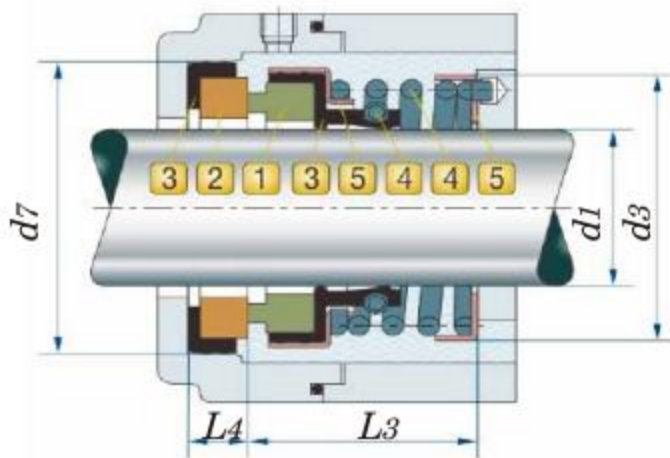
Speed: ≤ 10 m/sec

Materials

Rotary ring: Carbon.

Stationary ring: Ceramic

Bellows: NBR / EPDM / VITON.



d1 (H6)	d3 (Max)	d7 (h8)	L3 (± 0.5)	L4
8	16,00	18,00	11,50	6,50
9	20,00	21,00	16,50	6,50
10	20,00	22,00	16,50	6,50
11	20,00	24,00	16,50	6,50
12	22,50	26,00	17,50	6,50
13	22,50	26,00	17,00	7,00
14	24,50	28,00	18,00	7,00
15	24,50	28,00	18,00	7,00
16	28,50	32,00	19,00	8,00



Mechanical seal **AAS-M2N**

Temperature: -20°C~180°C

Pressure: ≤ 1 mpa

Speed: ≤ 15 m/sec

Materials

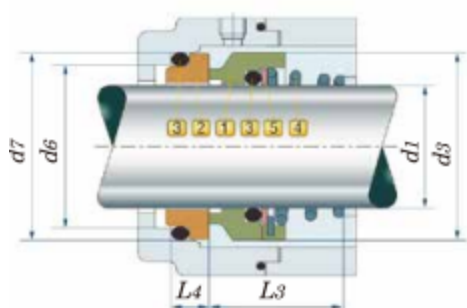
Rotary ring: Ceramic / SIC / TC.

Stationary ring: Carbon / SIC / TC/SUS.

Bellows: NBR / EPDM / VITON.

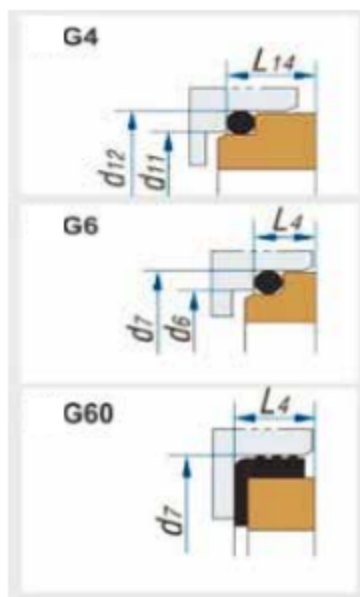
Spring: SS304 / SS316.

Metal parts: SS304 / SS316.



d1 (h6)	d3 (Max)	d7 (H8)	L3 (± 0.5)	L4	d11	d12 (H8)	d14
10	20,00	21,00	17,50	6,60	15,50	19,20	6,60
12	22,00	23,00	17,50	6,60	17,50	21,60	7,00
14	25,00	25,00	17,50	6,60	20,50	24,60	7,00
15	27,00	27,00	19,50	6,60	20,50	24,60	6,60
16	27,00	27,00	19,50	6,60	22,00	28,00	7,50
18	30,00	33,00	20,50	7,50	24,00	30,00	8,00
20	32,00	35,00	22,00	7,50	29,50	35,00	7,50
22	35,00	37,00	23,50	7,50	29,50	35,00	7,50
24	38,00	39,00	25,00	7,50	32,00	38,00	7,50
25	40,00	40,00	26,50	7,50	32,00	38,00	7,50
28	43,00	43,00	26,50	7,50	36,00	42,00	9,00
30	47,00	45,00	26,50	7,50	39,20	45,00	10,50
32	48,00	48,00	28,50	7,50	42,20	48,00	10,50
35	53,00	50,00	28,50	7,50	46,20	52,00	11,00
38	56,00	56,00	33,50	9,00	49,20	55,00	10,30

Type of counter ring



Single mechanical end seal with conical spring AAS-M2N.

Used in various pumps, compressors, blending and mixing machines.

Analogue: AESSEAL T07 / T07D / T07X, Burgmann M2N, Roten UNITEN 22, Hecker HN 400A.

Mechanical seal AAS-BT-RN

Temperature: -20°C~200°C

Pressure: ≤1mpa

Speed: ≤15m/sec



Materials

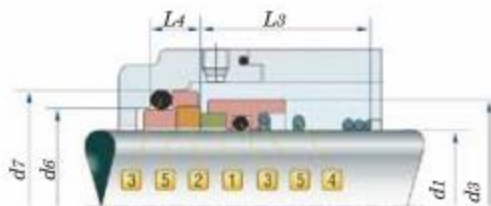
Rotary ring: SUS/ SIC / TC.

Stationary ring: Carbon / SIC / TC.

Bellows: NBR / EPDM / VITON.

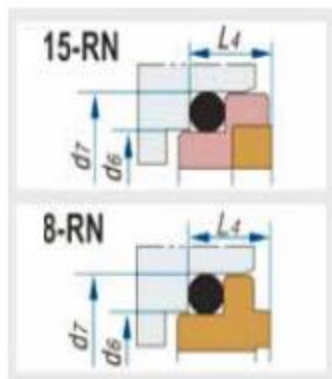
Spring: SS304 / SS316.

Metal parts: SS304 / SS316.



d1	d3 (Max)	d6	d7 (h8)	L3 (±0.5)	L4
8	16	13	17,1	15	5,5
10	20	14	18,1	15	5,5
12	21	16,5	20,6	18	5,5
14	23	19	23,1	22	6,0
15	24	21	26,9	22	7,0
16	26	21	26,9	23	7,0
17	26	21	26,9	23	7,0
18	29	25	30,9	24	8,0
19	29	25	30,9	25	8,0
20	31	25	30,9	25	8,0
22	33	30	35,4	25	8,0
24	35	30	35,4	27	8,0
25	36	33	38,2	27	8,5
26	36	33	38,2	27	8,5
28	40	38	43,3	29	9,0
30	43	38	43,3	30	9,0
32	46	38	43,3	30	9,0
33	47	45	53,5	39	11,5
35	49	45	53,5	39	11,5
38	53	52	60,5	39	11,5
40	56	52	60,5	39	11,5
42	59	52	60,5	39	11,5
43	59	52	60,5	39	11,5
45	61	57	65,5	41	11,5
48	64	57	65,5	41	11,5
50	66	64	72,5	45	11,5
55	71	64	72,5	47	11,5
60	78	72	79,3	49	11,5
65	84	77	84,5	51	11,5
70	90	82	89,5	51	11,5
75	98	87	94,5	57	11,5
80	100	92	99,5	59	11,5
85	109	98	105,5	59	13,5
90	114	105	111,5	62	13,5
95	119	110	116,5	62	13,5
100	124	114	119,5	75	13,5

Type of counter ring



Single mechanical seal AAS-BT-RN

Used in pumps: Lowara, Ebara (3M), EMU, Flugt, Fristam, GEA Tuchenhagen, Goetze, etc.

Analogue: Burgmann BT-RN seal, Flowserve 42 seal, Latty T900 seal, Roten 2 seal, Sterling SR2 seal.

Mechanical seal **AAS-BT-RN3**

Temperature: -20°C~180°C

Pressure: ≤1.0 mpa

Speed: ≤15m/sec

Materials

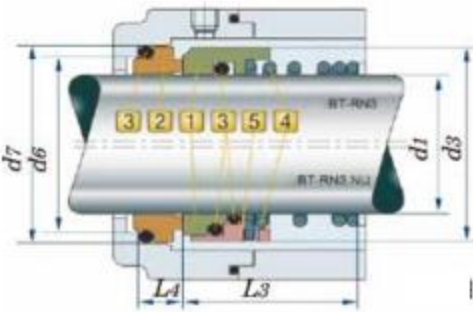
Rotary ring: SUS/ SIC / TC.

Stationary ring: Carbon / SIC / TC.

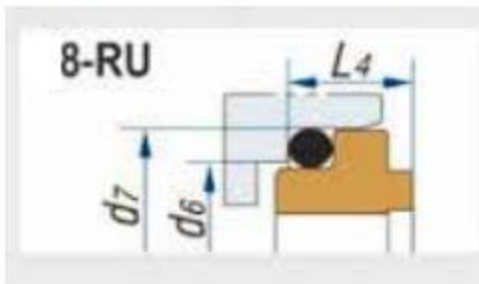
Bellows: NBR / EPDM / VITON.

Spring: SS304 / SS316.

Metal parts: SS304 / SS316.



Type of counter ring



Mechanical seal AAS-BT-RN3

Used in pumps: Lowara, Ebara (3M), EMU, Flugt, Fristam, GEA Tuchenhagen, Goetze, ETC.

Analogue: Burgmann BT-RN3 seal, Flowserve 42 seal, Latty T900 seal, Sterling SR2 seal.

d1 (H6)	d3 (Max)	d6 (h8)	d7 (±0.5)	L3	L4 (h8)
10	19	17	21	15	7
12	21	19	23	18	7
14	23	21	25	22	7
16	26	23	27	23	7
18	29	27	33	24	10
20	31	29	35	25	10
22	33	31	37	25	10
24	35	33	39	27	10
25	36	34	40	27	10
28	40	37	43	29	10
30	43	39	45	30	10
32	46	42	48	30	10
33	46	42	48	39	10
35	49	44	50	39	10
38	53	49	56	42	13
40	56	51	58	42	13
43	59	54	61	47	13
45	61	56	63	47	13
48	64	59	66	47	13
50	66	62	70	46	14
53	69	65	73	56	14
55	71	67	75	56	14
58	76	70	78	56	14
60	78	72	80	56	14
63	81	75	83	56	14
65	84	77	85	66	14
68	88	81	90	64	16
70	90	83	92	64	16
75	98	88	97	64	16
80	100	95	105	72	18
85	107	100	110	72	18
90	111	105	115	72	18
95	119	110	120	72	18
100	124	115	125	72	18

Mechanical seal AAS-M3N

Temperature: -20°C~180°C

Pressure: ≤1.2 mpa

Speed: ≤15m/sec



Materials

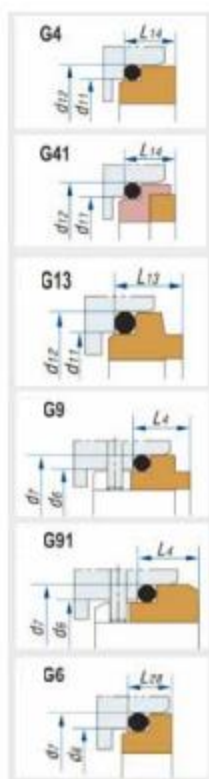
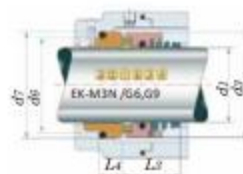
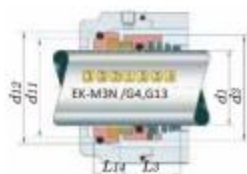
Rotary ring: Carbon / SIC / TC.

Stationary ring: Carbon/Ceramic/SIC/SUS.

Bellows: NBR / EPDM / VITON.

Spring: SS304 / SS316.

Metal parts: SS304 / SS316.



d1 (h6)	d2	d3 (min)	d7 H8	d12	L2 (±0.5)	L3 (±0.5)	L4	L13	L14	L28
12	21	21	23	21,6	15,5	16,0	10,0	7,6	5,6	6,6
14	23	23	25	24,6	15,5	16,5	10,0	7,6	5,6	6,6
15	24	-	-	24,6	15,5	-	-	8,6	6,6	-
16	26	26	27	28,0	17,5	18,0	10,0	9,0	7,5	6,6
18	29	29	33	30,0	18,5	19,5	11,5	10,0	8,0	7,5
19	-	31	-	31,0	20,0	-	-	8,6	7,5	-
20	31	31	35	35,0	20,0	22,0	11,5	9,5	7,5	7,5
22	33	33	37	35,0	21,5	21,5	11,5	9,5	7,5	7,5
24	35	35	39	38,0	23,0	23,5	11,5	9,5	7,5	7,5
25	36	36	40	38,0	24,5	26,5	11,5	9,5	7,5	7,5
26	-	37	-	40,0	24,5	-	-	10,0	8,0	-
28	40	40	43	42,0	24,5	26,5	11,5	11,0	9,0	7,5
30	43	43	45	45,0	24,5	26,5	11,5	11,0	10,5	7,5
32	46	46	48	48,0	28,0	28,5	11,5	11,0	10,5	7,5
33	-	47	48	-	-	28,5	11,5	-	-	7,5
35	49	49	50	52,0	28,0	28,5	11,5	11,5	11,0	7,5
38	53	53	56	55,0	31,0	33,5	14	11,5	11,0	9,0
40	56	56	58	58,0	34,0	36,0	14	11,5	10,8	9,0
42	-	59	-	62,0	35,0	-	-	14,3	12,0	-
43	59	59	61	62,0	35,0	38,5	14	14,3	12,0	9,0
45	61	61	63	64,0	36,5	39,5	14	14,3	11,6	9,0
48	64	64	66	68,4	42,0	46,0	14	14,3	11,6	9,0
50	66	66	70	69,3	43,0	45,0	15	14,3	11,6	9,5
53	-	69	73	-	-	47,0	15	15,3	-	11,0
55	71	71	75	75,4	47,0	49,0	15	15,3	13,3	11,0
58	76	76	78	78,4	50,0	55,0	15	15,3	13,3	11,0
60	78	78	80	80,4	51,0	55,0	15	15,3	13,3	11,0
63	-	83	83	-	-	55,0	15	-	13,3	11,0
65	84	84	85	85,4	52,0	55,0	15	15,3	13,0	11,0
68	88	88	90	91,5	53,0	55,0	18	16,0	13,7	11,3
70	90	90	92	92,0	54,0	57,0	18	15,3	13,0	11,3
75	98	98	97	99,0	55,0	62,0	18	15,3	14,0	11,3
80	100	100	105	104,0	58,0	61,8	18,2	16,3	15,0	11,3



Mechanical seal **AAS-101**

Temperature: -20°C~80°C

Pressure: ≤ 0.4 mpa

Speed: ≤ 3000 /rpm

Materials

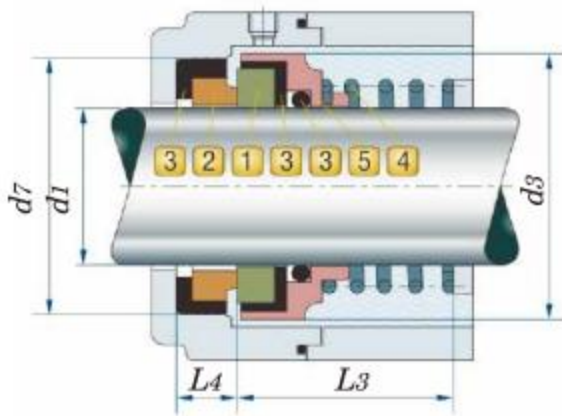
Rotary ring: Ceramic / SIC .

Stationary ring: Car / SIC .

Bellows: NBR / VITON.

Spring: SS304 / SS316.

Metal parts: SS304 / SS316.



Single mechanical end seal with conical spring AAS-101

Used in various pumps, compressors, blending and mixing machines.

Analogue: AESSEAL T07 / T07D / T07X, Roten UNITEN 22, Hecker HN 400A.

d1 (H6)	d3 (Max)	d6 (h8)	d7 (± 0.5)	L3	L4 (h8)
16	30.0	23.0	35	22	8
25	42.5	29.5	41	31	9
35	54.0	41.0	52	36	9



Mechanical seal **AAS-110**

Temperature: -40°C~150°C

Pressure: ≤ 0.4 mpa

Speed: ≤ 10 m/sec

Materials

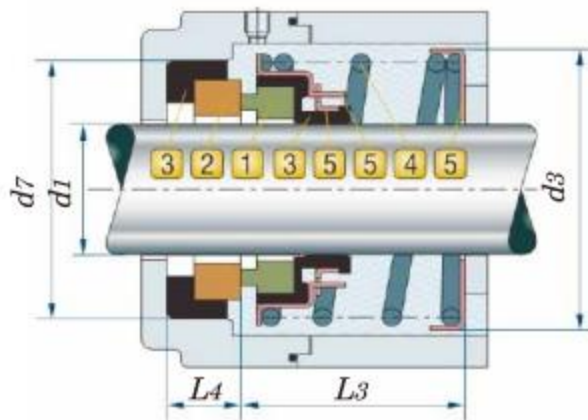
Rotary ring: Carbon/SiC/TC

Stationary ring: Ceramic/SiC/TC.

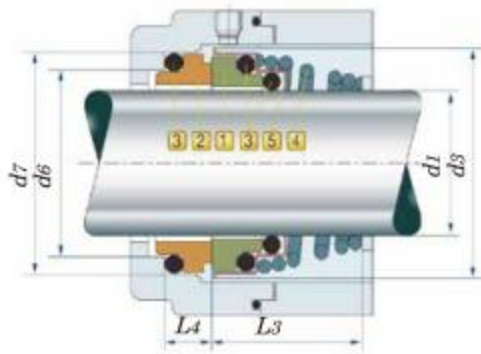
Bellows: NBR / VITON.

Spring: SS304 / SS316.

Metal parts: SS304 / SS316.



AAS-110	d1 (h6)	d3 (Max)	d7 (H8)	L3 (±0.5)	L4
13	13	31,5	29,5	24,0	8,0
14	14	31,5	29,5	24,0	8,0
15	15	31,5	29,5	18,0	8,0
15H	15	31,5	29,5	24,0	8,0
16	16	31,5	29,5	18,0	8,0
16H	16	31,5	29,5	24,0	8,0
20	20	37,0	35,0	14,5	5,5
25	25	44,2	40,0	16,0	6,0
30	30	48,6	45,0	17,5	6,5
35	35	54,0	50,0	19,0	7,0
40	40	60,4	58,0	20,0	8,0



Mechanical seal **AAS-155/155B**

Temperature: -20°C~180°C

Pressure: ≤ 1.4 mpa

Speed: ≤ 15m/sec

Materials

Rotary ring: Ceramic / SIC / TC.

Stationary ring: Carbon / SIC / TC.

Bellows: NBR / EPDM / VITON.

Spring: SS304 / SS316.

Metal parts: SS304 / SS316.

AAS-155	d1 (H6)	d3 (Max)	d6 (h8)	d7 (±0.5)	L3	L4 (h8)
10	20,0	14,0	18,1	15,0	5,5	
11	22,0	16,5	20,6	18,0	5,5	
12	22,0	16,5	20,6	18,0	5,5	
13	25,0	18,5	23,1	22,0	6,0	
14	25,0	18,5	23,1	22,0	6,0	
15	29,0	21,5	26,9	23,0	7,0	
16	29,0	21,5	26,9	23,0	7,0	
17	29,0	21,5	26,9	23,0	7,0	
18	33,0	24,5	30,9	24,0	8,0	
19	33,0	26,0	30,9	25,0	8,0	
20	33,0	26,0	30,9	25,0	8,0	
21	38,0	29,0	35,4	25,0	8,0	
22	38,0	29,0	35,4	25,0	8,0	
23	38,0	29,0	35,4	27,0	8,0	
24	38,0	29,0	35,4	27,0	8,0	
25	40,0	31,5	38,2	27,0	8,5	
28	46,0	37,5	43,3	30,0	9,0	
29	46,0	37,5	43,3	30,0	9,0	
30	46,0	37,5	43,3	30,0	9,0	
32	46,0	37,5	43,3	30,0	9,0	
33	48,0	45,0	53,5	39,0	11,5	
35	50,0	45,0	53,5	39,0	11,5	
38	58,0	52,0	60,5	39,0	11,5	
40	58,0	52,0	60,5	39,0	11,5	
AAS-155B	d1 (H6)	d3 (Max)	d6 (h8)	d7 (±0.5)	L3	L4 (h8)
10	20,0	17,0	21,0	15,0	7,0	
12	22,0	19,0	23,0	18,0	7,0	
14	25,0	21,0	25,0	22,0	7,0	
16	29,0	23,0	27,0	23,0	7,0	
18	33,0	27,0	33,0	24,0	10,0	
20	33,0	29,0	35,0	25,0	10,0	
22	38,0	31,0	37,0	25,0	10,0	
24	38,0	33,0	39,0	27,0	10,0	
25	40,0	34,0	40,0	27,0	10,0	
28	46,0	37,0	43,0	29,0	10,0	
30	46,0	39,0	45,0	30,0	10,0	
32	46,0	42,0	48,0	30,0	10,0	
33	48,0	42,0	48,0	39,0	10,0	
35	50,0	44,0	50,0	39,0	10,0	
38	58,0	49,0	56,0	42,0	13,0	
40	58,0	51,0	58,0	42,0	13,0	

Mechanical seal AAS-155/155B

It can be used in pumps: Lowara (CEA120), Calpeda (NM, MXH, MPC, GXC/GXV), Ebara (CDX, 2CDX, CDXM), Pedrolo (F) and many others.

Analog of mechanical seals: Burgmann BT - FN, Roten 3, Vulcan 13. DIMER TCO.15-7, Lidering



Mechanical seal AAS-T2/FBD

Temperature: -20°C~200°C

Pressure: ≤1.7 mpa

Speed: ≤13m/sec

Materials

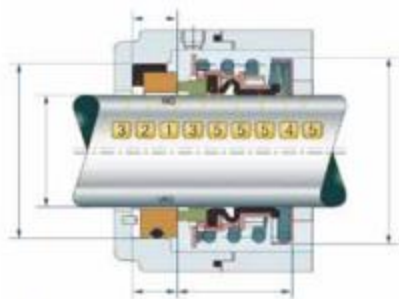
Rotary ring: Carbon / SIC / TC.

Stationary ring: Ceramic / SIC / TC.

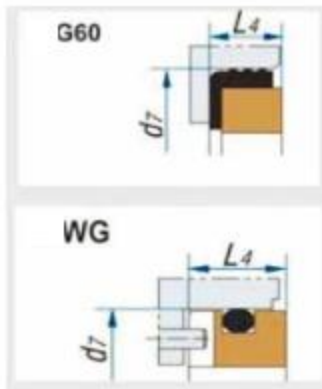
Bellows: NBR / EPDM / VITON.

Spring: SS304 / SS316.

Metal parts: SS304 / SS316.



Type of counter ring



Mechanical seal AAS-T2/FBD

Applicable to KSB Omega, RDLO, AmarexN, Ama, Etaline, HGM, CHTC, CHTD

Analog John Crane Type 2(US standart), Vulcan A5 / A5J.

AAS-T2	d(icnh)	d1(mm)	d3	d7	L3	L4
0.750	19,05	36,50	34,92	22,22	10,30	
0.875	22,23	39,60	38,10	23,80	10,30	
1.000	25,40	46,00	41,27	25,40	11,10	
1.125	28,58	49,20	44,45	26,97	11,10	
1.250	31,75	52,40	47,62	26,97	11,10	
1.375	34,93	57,20	50,80	28,58	11,10	
1.500	38,10	60,30	53,97	28,58	11,10	
1.625	41,28	66,70	60,33	34,93	12,70	
1.750	44,45	69,90	63,50	34,93	12,70	
1.875	47,63	73,00	66,68	38,10	12,70	
2.000	50,80	76,20	69,85	38,10	12,70	
2.125	53,98	82,60	76,20	42,85	14,30	
2.250	57,15	85,70	79,37	42,85	14,30	
2.375	60,33	88,90	82,55	46,02	14,30	
2.500	63,50	92,10	85,72	46,02	14,30	
2.625	66,68	98,40	85,73	49,20	15,90	
2.750	69,85	101,60	88,90	49,20	15,90	
2.875	73,03	104,80	95,25	52,37	15,90	
AAS-FDB	d1	d3	d7	L3	L4	
16	34,00	30,00	25,00	8,00		
18	36,80	32,00	25,00	8,00		
20	38,80	34,00	25,00	8,00		
22	41,50	36,00	25,00	8,00		
25	44,80	39,00	26,00	8,00		
28	48,50	43,00	26,00	8,00		
30	52,00	48,00	26,00	8,00		
35	57,00	53,00	30,00	10,00		
40	67,00	58,00	34,00	10,00		
45	73,00	63,00	36,00	10,00		
50	79,00	68,00	41,00	10,00		
55	84,00	73,00	41,00	12,00		
60	90,00	79,00	41,00	12,00		
65	98,50	86,00	49,00	12,00		
70	103,50	91,00	49,00	12,00		
75	110,50	96,00	52,00	12,00		
80	120,00	105,00	56,00	14,00		
85	125,00	110,00	56,00	14,00		
90	132,00	115,00	56,00	14,00		
95	137,00	120,00	59,00	14,00		



Mechanical seal AAS-T1/FBC

Temperature: -40°C~200°C

Pressure: ≤ 1.7 mpa

Speed: ≤ 13 m/sec

Materials

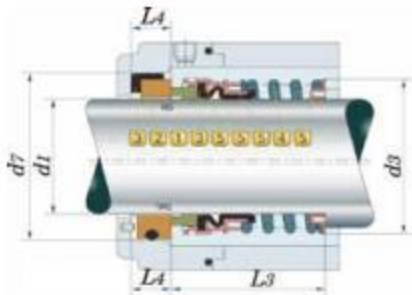
Rotary ring: Carbon / SIC / TC.

Stationary ring: Ceramic / SIC / TC.

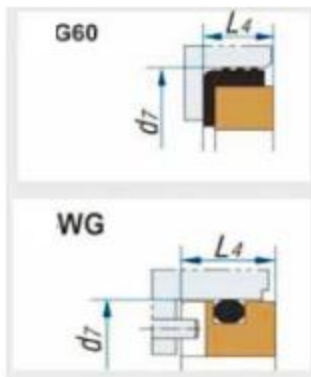
Bellows: NBR / EPDM / VITON.

Spring: SS304 / SS316.

Metal parts: SS304 / SS316.



Type of counter ring



Mechanical seal AAS-T1/FBC

Applicable to KSB Omega, RDLO, Amarex N, Ama, Etaline, HGM, CHTC, CHTD.

Analog John Crane Type 1, Vulcan A5 / A5J.

AAS-FBC	d1 (H6)	d3 (Max)	d7 (h8)	L3 (±0.5)	L4
16	29,00	30,00	34,00	34,00	8,00
18	31,00	32,00	34,00	34,00	8,00
20	33,00	34,00	34,00	34,00	8,00
22	35,00	36,00	34,00	34,00	8,00
25	38,00	39,00	37,00	37,00	8,00
28	42,00	43,00	38,00	38,00	8,00
30	45,00	48,00	38,00	38,00	8,00
35	49,00	53,00	39,00	39,00	10,00
40	57,00	58,00	44,00	44,00	10,00
45	62,00	63,00	47,00	47,00	10,00
50	67,00	68,00	54,00	54,00	10,00
55	72,00	73,00	54,00	54,00	12,00
60	78,00	79,00	55,50	55,50	12,00
65	84,00	86,00	55,50	55,50	12,00
70	89,00	91,00	57,00	57,00	12,00
75	94,00	96,00	63,00	63,00	12,00
80	103,00	105,00	62,00	62,00	14,00
85	108,00	110,00	68,00	68,00	14,00
90	113,00	115,00	68,00	68,00	14,00
95	118,00	120,00	68,00	68,00	14,00
100	123,00	125,00	68,00	68,00	14,00
AAS-T1	d1 (H6)	d3 (Max)	d7 (h8)	L3 (±0.5)	L4
0.750	19,05	30,90	34,92	33,32	10,30
0.875	22,23	34,10	38,10	34,93	10,30
1.000	25,40	38,10	41,27	39,67	11,10
1.125	28,58	41,30	44,45	41,28	11,10
1.250	31,75	46,00	47,62	41,28	11,10
1.375	34,93	47,60	50,80	42,85	11,10
1.500	38,10	50,80	53,97	42,85	11,10
1.625	41,28	57,20	60,33	50,80	12,70
1.750	44,45	60,30	63,50	50,80	12,70
1.875	47,63	63,50	66,68	53,98	12,70
2.000	50,80	66,70	69,85	53,98	12,70
2.125	53,98	71,40	76,20	60,33	14,30
2.250	57,15	74,60	79,37	60,33	14,30
2.375	60,33	77,80	82,55	63,50	14,30
2.500	63,50	80,90	85,72	63,50	14,30
2.625	66,68	85,70	85,73	69,85	15,90
2.750	69,85	88,90	88,90	69,85	15,90
2.875	73,03	92,10	95,25	73,03	15,90
3.000	76,20	95,30	98,42	73,03	15,90



Mechanical seal AAS-560C/BIA

Temperature: -20°C~150°C

Pressure: ≤1.7 mpa

Speed: ≤13m/sec

Materials

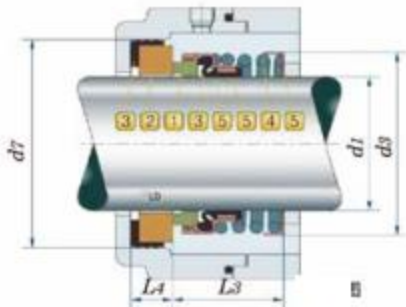
Rotary ring: Carbon / SIC

Stationary ring: Ceramic / SIC / TC.

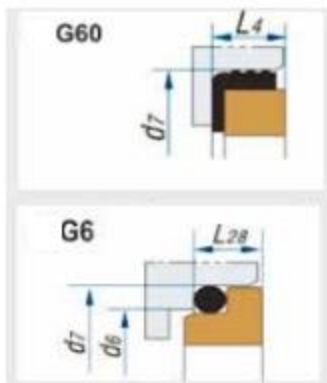
Bellows: NBR / EPDM / VITON.

Spring: SS304 / SS316.

Metal parts: SS304 / SS316.



Type of counter ring



Mechanical seal AAS-560C/BIA

It is applied to pumps of the Haigh, Hidrostral, Hilge, Inbeat, INOX series and another pumps.

Analog JBurgmann MG920/ D1-G50 seal.Crane 2 (N SEAT) seal.Flowserve 200 seal Latty T200

AAS-560C	(mm)	d1	d3	d7	L3	L4
	10	20,50	21,00	23,90	8,60	
	12	22,50	23,00	23,90	8,60	
	14	24,50	25,00	26,40	8,60	
	16	26,50	27,00	26,40	8,60	
	18	30,50	33,00	27,50	10,00	
	20	34,00	35,00	27,50	10,00	
	22	36,00	37,00	27,50	10,00	
	24	40,00	39,00	30,00	10,00	
	25	40,00	40,00	30,00	10,00	
	28	42,00	43,00	32,50	10,00	
	30	45,00	45,00	32,50	10,00	
	32	47,00	48,00	32,50	10,00	
	33	47,00	48,00	32,50	10,00	
	35	50,00	50,00	32,50	10,00	
	38	55,00	56,00	34,00	11,00	
	40	57,00	58,00	34,00	11,00	
	43	59,00	61,00	34,00	11,00	
	45	61,50	63,00	34,00	11,00	
	48	65,50	66,00	34,00	11,00	
	50	67,50	70,00	34,50	13,00	
	53	70,50	73,00	34,50	13,00	
	55	72,00	75,00	34,50	13,00	
	58	78,50	78,00	39,50	13,00	
	60	80,00	80,00	39,50	13,00	
	63	83,00	83,00	39,50	13,00	
	65	84,50	85,00	39,50	13,00	
	68	88,00	90,00	37,20	15,30	
	70	90,00	92,00	44,70	15,30	
	75	99,00	97,00	44,70	15,30	
	80	104,00	105,00	44,30	15,70	
AAS-BIA	(mm)	d1	d3	d7	L3	L4
	14	24,50	30,00	18,70	5,00	
	16	26,50	32,00	21,00	5,00	
	18	30,50	35,00	22,50	7,50	
	20	34,00	35,00	21,00	8,00	
	24	40,00	39,00	25,50	8,00	
	25	40,00	40,00	25,50	8,00	
	28	42,00	43,00	25,50	8,00	
	30	45,00	45,00	25,50	9,00	
	32	47,00	48,00	33,50	9,00	
	33	47,00	48,00	33,50	9,00	
	35	50,00	50,00	33,50	9,00	
	38	55,00	56,00	33,50	9,00	
	40	57,00	58,00	33,50	9,00	
	45	61,50	63,00	38,00	9,50	
	48	65,50	66,00	38,00	9,50	
	50	67,50	70,00	38,00	9,50	
	53	70,50	73,00	41,00	9,50	
	55	72,00	75,00	41,00	9,50	
	58	78,50	78,00	42,00	9,50	
	60	80,00	80,00	42,00	9,50	
	65	84,50	85,00	43,00	9,50	
	70	90,00	92,00	45,00	11,00	
	75	99,00	97,00	48,00	12,00	
	80	104,00	104,00	55,00	12,00	
	65	84,50	85,00	39,50	13,00	
	68	88,00	90,00	37,20	15,30	
	70	90,00	92,00	44,70	15,30	
	75	99,00	97,00	44,70	15,30	
	80	104,00	105,00	44,30	15,70	



Mechanical seal AAS-560A

Temperature: -20°C~150°C

Pressure: ≤ 1.5 mpa

Speed: ≤ 13 m/sec

Materials

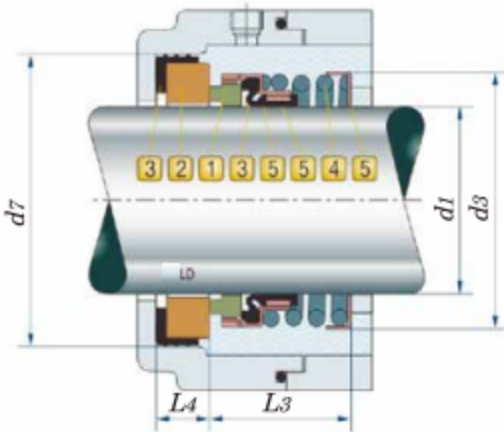
Rotary ring: Carbon / SIC

Stationary ring: Ceramic / SIC / TC.

Bellows: NBR / EPDM / VITON.

Spring: SS304 / SS316.

Metal parts: SS304 / SS316.



AAS-560A

d1 (H6)	d3 (Max)	d7 (h8)	L3 (±0.5)	L4
8	20,50	21,00	11,50	6,50
9	20,50	24,00	16,50	6,50
10	20,50	24,00	16,50	6,50
11	22,50	24,00	16,50	6,50
12	22,50	26,00	17,50	6,50
13	24,50	26,00	17,50	6,50
14	24,50	28,00	18,50	6,50
15	26,50	28,00	18,50	6,50
16	26,50	32,00	20,00	7,00
17	26,50	32,00	20,00	7,00
18	30,50	35,00	20,00	7,00
19	30,50	35,00	20,00	7,00
20	34,00	38,00	19,50	8,50
22	36,00	40,00	19,50	8,50
24	40,00	44,00	20,50	8,50
25	40,00	44,00	20,50	8,50
28	42,00	46,00	21,00	9,00
30	45,00	50,00	22,00	9,00
32	47,00	54,00	24,00	9,00
35	50,00	58,00	25,50	10,50
38	55,00	60,00	26,50	10,50
40	57,00	64,00	27,00	11,00
45	61,50	66,00	29,00	11,00
48	65,50	67,00	31,00	11,00
50	67,50	72,00	31,00	11,00
54	72,00	76,20	42,80	14,20
55	72,00	79,40	42,80	14,20
58	78,50	79,40	42,80	14,20
60	80,00	82,50	45,80	14,20
65	84,50	85,70	49,00	16,00
70	90,00	88,90	49,00	16,00
73	94,00	95,30	53,00	16,00
75	99,00	98,40	53,00	16,00

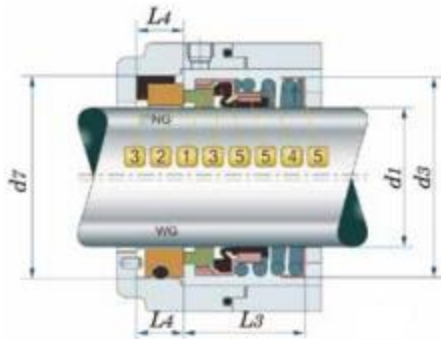
The mechanical end seal AAS-560A

The seals are capable of self-regulation due to the freely inserted rotatyring, as well as the Hilge, Inbeat, INOX series and another pumps.high axial mobility of the bellows. The R-560A and misalignments.

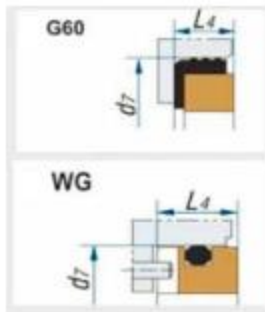
Areas of application: processing and chemical industry, water supply and wastewater treatment systems, glycols, oils, submersible pumps, motor pumps, circulation pumps.Hilge, Inbeat, INOX series and another pumps.

It is applied to pumps of the Haigh, Hidrostat, Hilge, Inbeat, INOX series and another pumps.

Analogue:EA560A Burgmann, John Crane 6, AESSEAL B04



Type of counter ring



Mechanical seal AAS-21

It is applied to pumps of the Haigh, Hidrostal, Hilge, Inbeat, INOX series and another pumps.

Analogue: Burgmann MG920/ D1-G50 seal. Crane 21 (N SEAT) seal. Flowserve 200 seal, Latty T200 seal, Roten RB02 seal, Roten 21 seal, Sealol 43 CE short seal, Sterling 212 seal, V ulcan 20 seal.

Mechanical seal AAS-21

Temperature: -20°C~145°C

Pressure: ≤1.5 mpa

Speed: ≤13m/sec

Materials

Rotary ring: Carbon / SIC / TC.

Stationary ring: Ceramic / SIC / TC.

Bellows: NBR / EPDM / VITON.

Spring: SS304 / SS316.

Metal parts: SS304 / SS316.

AAS-21	d1	d3	d7	L3	L4	
	10	20,50	24,60	25,40	8,74	
	12	22,50	27,79	25,40	8,74	
	14	26,50	30,95	25,40	10,32	
	16	26,50	30,95	25,40	10,32	
	18	34,00	34,15	25,40	10,32	
	20	36,00	35,70	25,40	10,32	
	22	36,00	37,30	25,40	10,32	
	24	40,00	40,50	25,40	10,32	
	25	40,00	40,50	25,40	10,32	
	28	42,00	47,63	33,34	11,99	
	30	45,00	50,80	33,34	11,99	
	32	47,00	50,80	33,34	11,99	
	33	50,00	53,98	33,34	11,99	
	35	50,00	53,98	33,34	11,99	
	38	55,00	57,15	33,34	11,99	
	40	57,00	60,35	33,34	11,99	
	42	59,00	63,50	40,48	11,99	
	43	59,00	63,50	40,48	11,99	
	45	65,50	63,50	40,48	11,99	
	48	67,50	66,70	40,48	11,99	
	50	67,50	69,85	40,48	11,99	
	53	72,00	73,05	41,00	13,50	
	55	78,50	76,20	41,00	13,50	
	58	80,00	79,40	41,00	13,50	
	60	80,00	79,40	41,00	13,50	
	63	83,00	82,55	41,00	13,50	
	65	88,00	92,10	49,00	15,90	
	70	90,00	95,25	49,00	15,90	
	73	94,00	98,45	49,00	15,90	
	75	99,00	101,65	49,00	15,90	
AAS-21 (Inch)	d1	d3	d7	L3	L4	
	0.375	9,53	20,50	24,60	25,40	8,74
	0.500	12,70	22,50	27,79	25,40	8,74
	0.625	15,87	26,50	30,95	25,40	10,32
	0.750	19,05	34,00	34,15	25,40	10,32
	0.875	22,23	36,00	37,30	25,40	10,32
	1.000	25,40	40,00	40,50	25,40	10,32
	1.125	28,58	42,00	47,63	33,34	11,99
	1.250	31,75	47,00	50,80	33,34	11,99
	1.375	34,93	50,00	53,98	33,34	11,99
	1.500	38,10	55,00	57,15	33,34	11,99
	1.625	41,28	57,00	60,35	33,34	11,99
	1.750	44,45	61,50	63,50	40,48	11,99
	1.875	47,63	65,50	66,70	40,48	11,99
	2.000	50,80	67,50	69,85	40,48	11,99
	2.125	53,98	72,00	73,05	41,00	13,50
	2.250	57,15	78,50	76,20	41,00	13,50
	2.375	60,33	80,00	79,40	41,00	13,50
	2.500	63,50	83,00	82,55	41,00	13,50
	2.625	66,68	88,00	92,10	49,00	15,90
	2.750	69,85	90,00	95,25	49,00	15,90
	2.875	73,03	94,00	98,45	49,00	15,90
	3.000	76,20	99,00	101,65	49,00	15,90

Mechanical seal AAS-31K/31U

Temperature: -20°C~150°C

Pressure: ≤1.5 mpa

Speed: ≤13m/sec



Materials

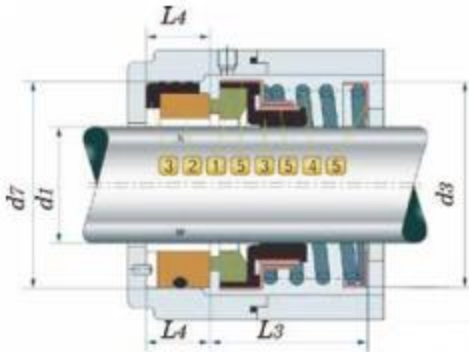
Rotary ring: Carbon / SIC.

Stationary ring: Ceramic / SIC / TC.

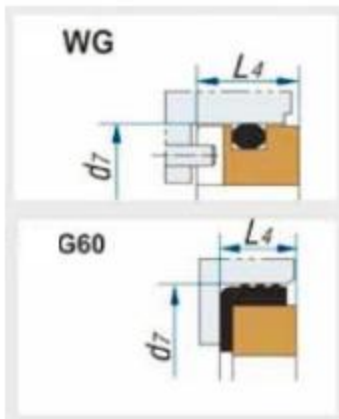
Bellows: NBR / EPDM / VITON.

Spring: SS304 / SS316.

Metal parts: SS304 / SS316.



Type of counter ring



AAS-31K (Inch)	d1 (H6)	d3 (Max)	d7 (h8)	L3 (±0.5)	L4
0.500	12,70	23,3	27,79	25,40	8,74
0.625	15,87	30,1	30,95	25,40	10,32
0.750	19,05	33,1	34,15	25,40	10,32
0.875	22,23	36,3	37,30	25,40	10,32
1.000	25,40	39,4	40,50	25,40	10,32
1.125	28,58	44,5	47,63	33,34	11,99
1.250	31,75	47,6	50,80	33,34	11,99
1.375	34,93	50,8	53,98	33,34	11,99
1.500	38,10	54,0	57,15	33,34	11,99
1.625	41,28	60,3	60,35	33,34	11,99
1.750	44,45	60,3	63,50	40,48	11,99
1.875	47,63	63,9	66,70	40,48	11,99
2.000	50,80	66,7	69,85	40,48	11,99
2.125	53,98	74,6	73,05	41,00	13,50
2.250	57,15	74,6	76,20	41,00	13,50
2.375	60,33	82,0	79,40	41,00	13,50
2.500	63,50	86,1	82,55	41,00	13,50
2.625	66,68	86,1	92,10	49,00	15,90
2.750	69,85	88,9	95,25	49,00	15,90
2.875	73,03	96,5	98,45	49,00	15,90
3.000	76,20	96,5	101,65	49,00	15,90
AAS-31K (Inch)	d1 (H6)	d3 (Max)	d7 (h8)	L3 (±0.5)	L4
0.500	12,70	23,3	25,40	20,62	7,9
0.625	15,87	30,1	31,75	22,22	10,3
0.750	19,05	33,1	34,93	22,22	10,3
0.875	22,23	36,3	38,10	23,80	10,3
1.000	25,40	39,4	41,28	25,40	11,1
1.125	28,58	44,5	44,45	26,97	11,1
1.250	31,75	47,6	47,63	26,97	11,1
1.375	34,93	50,8	50,80	28,58	11,1
1.500	38,10	54,0	53,98	28,58	11,1
1.625	41,28	60,3	60,33	34,93	12,7
1.750	44,45	60,3	63,50	34,93	12,7
1.875	47,63	63,9	66,68	38,10	12,7
2.000	50,80	66,7	69,85	38,10	12,7
2.125	53,98	74,6	76,20	42,85	14,3
2.250	57,15	74,6	79,38	42,85	14,3
2.375	60,33	82,0	82,55	46,02	14,3
2.500	63,50	86,1	85,73	46,02	14,3
2.625	66,68	86,1	85,73	49,20	15,9
2.750	69,85	88,9	88,90	49,20	15,9
2.875	73,03	96,5	95,25	52,37	15,9
3.000	76,20	96,5	98,43	52,37	15,9

Mechanical seal AAS-31K/31U

Used in pumps: Lowara, Ebara (3M), EMU, Flugt, Fristam, GEA Tuchenhagen, Goetze, ETC

Analogue: BurgmannBT-RN3seal, Flowserve 42 seal, Latty T900 seal, Sterling SR2 seal.



Mechanical seal **AAS-120/120P**

Temperature: -40°C~180°C

Pressure: ≤ 1.4 mpa

Speed: ≤ 15 m/sec

Materials

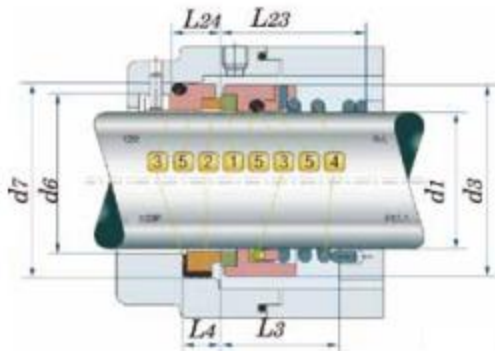
Rotary ring: SIC / TC.

Stationary ring: Carbon / SIC / TC.

Bellows: NBR / EPDM / VITON.

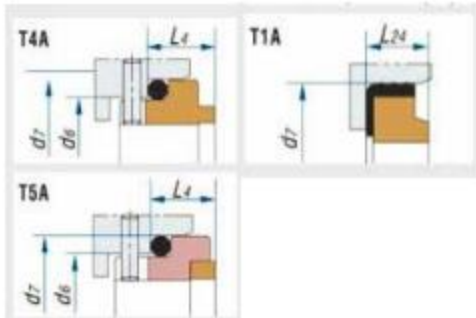
Spring: SS304 / SS316.

Metal parts: SS304 / SS316.



d1 (H6)	d3 (Max)	d6 (h8)	d7	L3 (± 0.5)	L4	L23 (± 0.5)	L24
18	32	27	33	26.0	10.0	18.5	6.5
20	34	29	35	26.5	10.0	18.5	6.5
22	36	31	37	27.5	10.5	19.0	6.5
25	39	34	40	29.5	10.5	29.0	8.0
28	42	37	43	28.5	11.5	28.5	8.5
30	44	39	45	31.5	11.5	28.5	8.5
35	49	44	50	34.5	11.5	28.5	8.5
38	54	49	56	37.0	13.0	30.5	9.5
40	56	51	58	37.0	13.0	30.5	9.5
45	61	56	63	41.0	13.0	30.5	9.5
50	66	62	70	41.0	14.0	34.5	10.5
55	71	67	75	43.0	14.0	34.5	10.5
60	80	72	80	44.0	14.0		
65	85	77	85	46.0	14.0		
70	90	83	92	46.0	17.0		
75	99	88	97	48.0	17.0		
80	104	95	105	48.0	17.0		

Type of counter ring



Mechanical seal AAS-120/120P

Used in pumps: Lowara, Ebara (3M), EMU, Flugt, Fristam, GEA Tuchenhagen, Goetze, ETC

Analogue: BurgmannBT-RN3seal, Flowserve 42 seal, Latty T900 seal, Sterling SR2 seal.

Mechanical seal **AAS-103**

Temperature: -20°C~80°C

Pressure: ≤ 0.8 mpa

Speed: ≤ 15 m/sec



Materials

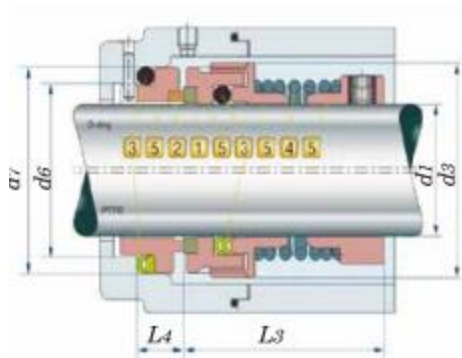
Rotary ring: SIC / TC.

Stationary ring: Carbon / SIC / TC.

Bellows: NBR / EPDM / VITON.

Spring: SS304 / SS316.

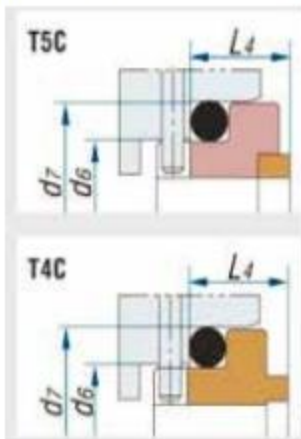
Metal parts: SS304 / SS316.



AAS-103

d1 (H6)	d3 (Max)	d6 (h8)	d7	L3 (±0.5)	L4
16	33	25,5	33	40	12
18	35	28,5	36	44	12
20	37	30,5	40	44	14
22	39	32,5	42	48	14
25	42	35,5	45	48	14
28	45	38,5	48	50	14
30	52	40,5	50	56	14
35	57	45,5	55	60	14
40	62	50,5	60	64	14
45	67	55,5	65	71	14
50	72	60,5	70	75	14
55	77	65,5	75	77	14
60	82	70,5	80	77	14
65	92	80,5	90	89	17
70	97	85,5	97	91	19
75	102	90,5	102	91	19
80	107	95,5	107	98	19
85	112	100,5	112	100	19
90	117	105,5	117	101	19
95	122	110,5	122	101	19
100	127	115,5	127	101	19
110	141	130,5	142	126	21
120	151	140,5	152	126	21

Type of counter ring



Single mechanical end seal AAS-103 with a central spring regardless of the direction of entry.

Application in pumps Wilo, ABS, Alfa laval, Allweiler, APV, Calpeda, DAB, Ebara, EMU, Flugt, Fristam.

Analog of mechanical seals: John Crane, Burgmann, AESSEAL, Latty, Roplan, Roten, Sealol, Sterling.



Mechanical seal **AAS-1527**

Temperature: -20°C~150°C

Pressure: ≤ 1.0 mpa

Speed: ≤ 10 m/sec

Materials

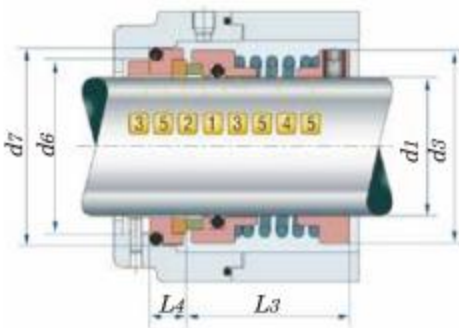
Rotary ring: SIC / TC.

Stationary ring: Carbon / SIC / TC.

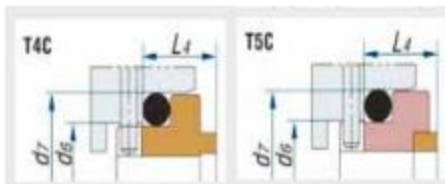
Bellows: NBR / EPDM / VITON.

Spring: SS304.

Metal parts: SS304 / SS316.



Type of counter ring



Single mechanical seal AAS-1527

Is applicable to the series pumps:MDM, DAB, DIVERTRON, DIVER, MICRA HS, IDEA, D-SUB and another pumps.

Analogue: Vidmap to MG912/ D1-G60 seal, Crane 521 seal Flowserve 240 seal, Latty

AAS-1527

d1 (H6)	d3 (Max)	d6	d7 (h8)	L3 (± 0.5)	L4
18	32	27	33	35.0	10.0
20	34	29	35	35.0	10.0
22	36	31	37	35.0	10.0
24	38	33	39	40.0	10.0
25	39	34	40	40.0	10.0
28	42	37	43	40.0	10.0
30	44	39	45	40.0	10.0
32	46	42	48	45.0	10.0
33	47	42	48	45.0	10.0
35	49	44	50	45.0	10.0
38	54	49	56	44.0	11.0
40	56	51	58	44.0	11.0
43	59	54	61	49.0	11.0
45	61	56	63	49.0	11.0
48	64	59	66	49.0	11.0
50	66	62	70	47.0	13.0
53	69	65	73	57.0	13.0
55	71	67	75	57.0	13.0
58	78	70	78	57.0	13.0
60	80	72	80	57.0	13.0
63	83	75	83	57.0	13.0
65	85	77	85	67.0	13.0
68	88	81	90	64.7	15.3
70	90	83	92	64.7	15.3
75	99	98	97	64.7	15.3
80	104	95	105	74.3	15.7
85	109	100	110	74.3	15.7
90	114	105	115	74.3	15.7
95	119	110	120	74.3	15.7
100	124	115	125	74.3	15.7



Mechanical seal **AAS-SZB**

Temperature: -20°C~180°C

Pressure: ≤1.7 mpa

Speed: ≤15m/sec

Materials

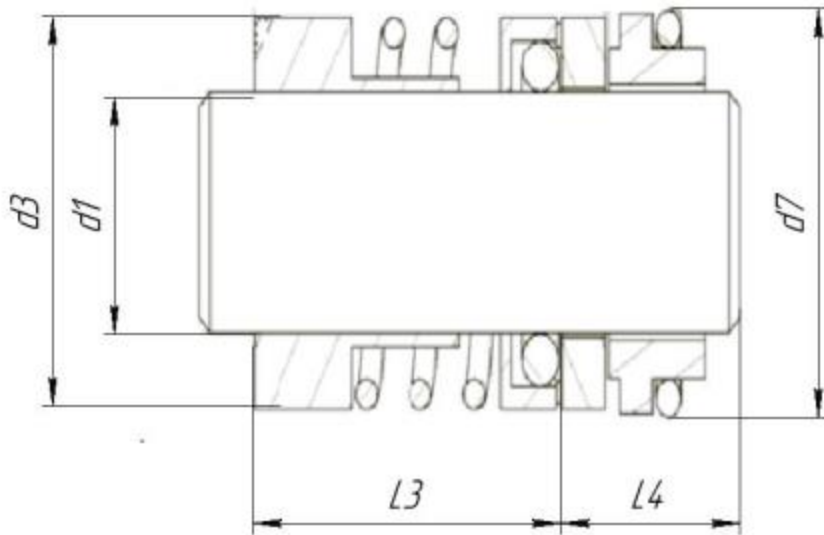
Rotary ring: SIC / TC.

Stationary ring: Carbon / SIC / TC.

Bellows: NBR / EPDM / VITON.

Spring: SS304.

Metal parts: SS304 / SS316.



	d1 (H6)	d3 (Max)	d7 (h8)	L3 (±0.5)	L4
AAS - SZB	12	22	23	32	7
AAS - SZB	16	26	27	33.5	7



Mechanical seal **AAS-CAM**

Temperature: $-20^{\circ}\text{C}\sim 180^{\circ}\text{C}$

Pressure: $\leq 3.0\text{ mpa}$

Speed: $\leq 15\text{m/sec}$

Materials

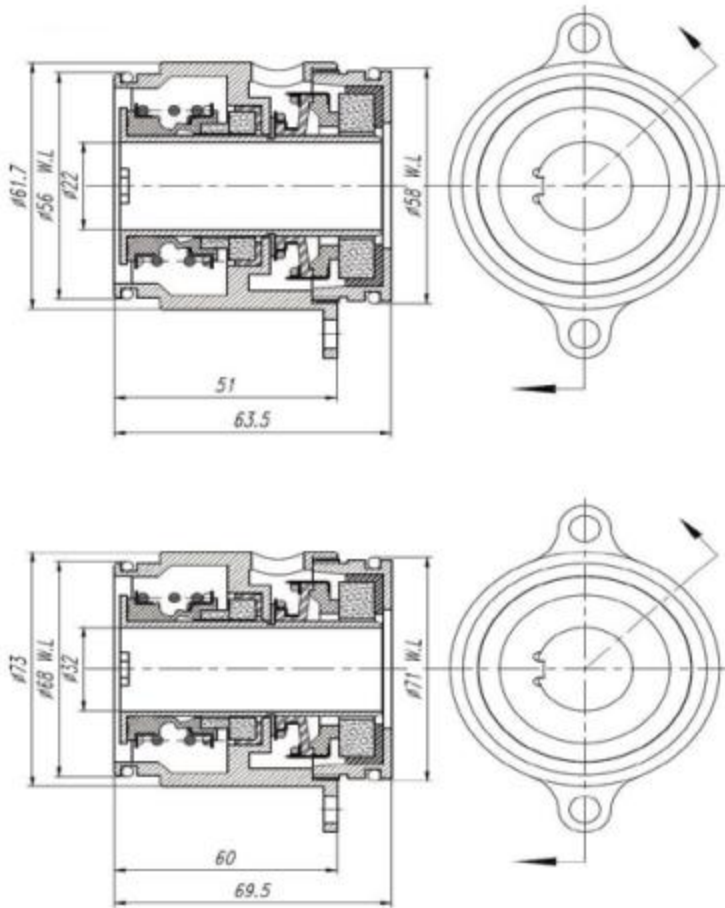
Rotary ring: SIC / TC.

Stationary ring: Carbon / SIC / TC.

Bellows: NBR / EPDM / VITON.

Spring: SS304.

Metal parts: SS304 / SS316.



Mechanical seal AAS-108U

Temperature: -20°C~150°C

Pressure: ≤ 0.6 mpa

Speed: ≤ 15 m/sec

Materials

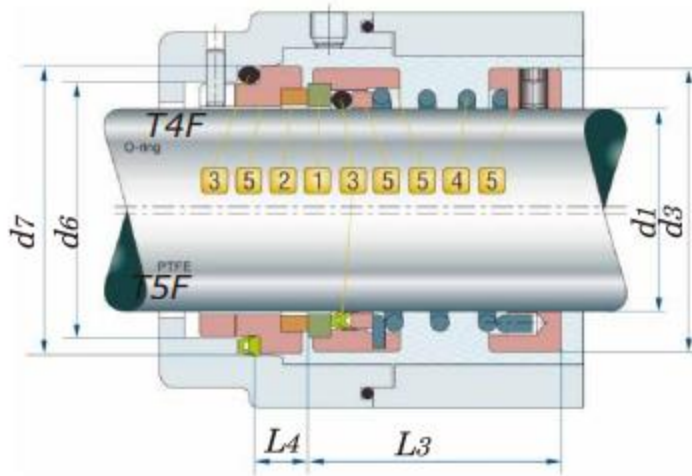
Rotary ring: SUS / SIC / TC.

Stationary ring: Carbon / SIC / TC.

Bellows: NBR / EPDM / VITON/PTFE.

Spring: SS304.

Metal parts: SS304



d1 (H6)	d3 (Max)	d6 (h8)	d7 (±0.5)	L3	L4
35	49	44	50	42	13
40	56	50	58	42	13
45	61	55	63	47	13
50	66	62	70	47	13
55	71	67	75	57	13
60	80	72	80	57	13
65	85	77	85	65	15
70	90	84	92	65	15
75	99	87	97	65	15
80	104	95	105	73	17
85	109	100	110	73	17



Mechanical seal **AAS-112**

Temperature: -20°C~140°C

Pressure: ≤ 1.4 mpa

Speed: ≤ 15 m/sec

Materials

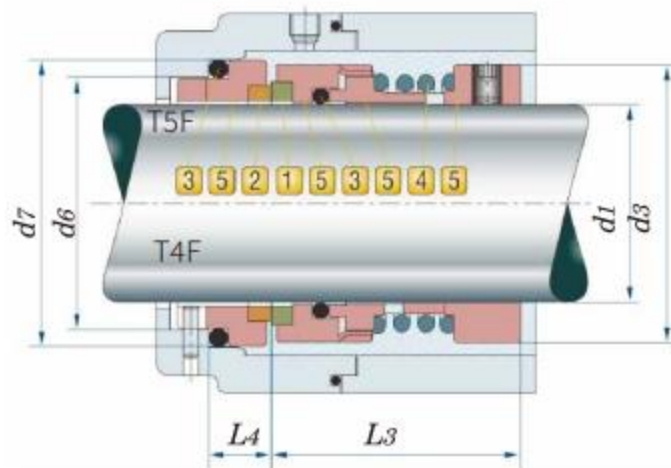
Rotary ring: SIC / TC.

Stationary ring: Carbon / SIC / TC.

Bellows: NBR / EPDM / VITON.

Spring: SS304.

Metal parts: SS304



d1 (H6)	d3 (Max)	d4 (h8)	d7	L3 (±0.5)	L4
20	34	29	35	26.5	10.0
22	36	31	37	37.5	10.5
25	39	34	40	39.5	10.5
28	42	37	43	43.5	11.5
30	44	39	45	43.5	11.5
35	49	44	50	43.5	11.5
38	54	49	56	52.0	13.0
40	56	51	58	52.0	13.0
45	61	56	63	52.0	13.0
50	66	62	70	56.0	14.0
55	71	67	75	56.0	14.0
60	80	72	80	61.0	14.0
65	85	77	85	61.0	14.0
70	90	83	92	63.0	17.0
75	99	88	97	63.0	17.0
80	104	95	105	68.0	17.0

Mechanical seal AAS-128/128P

Temperature: -20°C-200°C

Pressure: ≤0.8 mpa

Speed: ≤10m/sec

Materials

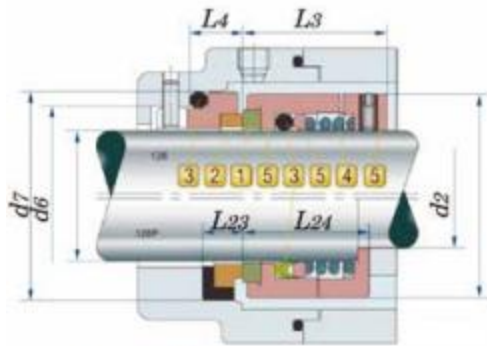
Rotary ring: SIC / TC.

Stationary ring: Carbon / SIC / TC.

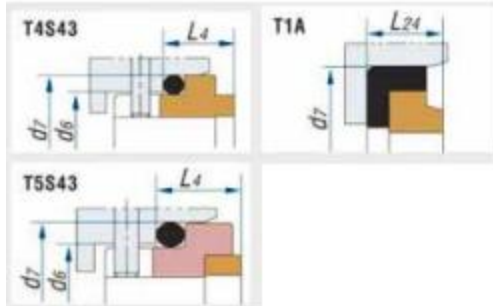
Bellows: NBR / EPDM / VITON.

Spring: SS304.

Metal parts: SS304



Type of counter ring



Single mechanical end seal AAS-128/128P

Is applicable to the series pumps: SNM7N, Grundfos, Calpeda and another pumps.

Analog: W011U, Aesseal W07D/W07DM, Flowserve Pac-Seal

AAS-128						
d1	d3 (Max)	d6	d7 (H8)	L3 (±0.5)	L4	
20	34	29	35	35.0	10.0	
22	36	31	37	35.0	10.0	
25	39	34	40	40.0	10.0	
28	42	37	43	40.0	10.0	
30	44	39	45	40.0	10.0	
35	49	44	50	45.0	10.0	
38	54	49	56	44.0	11.0	
40	56	51	58	44.0	11.0	
45	61	56	63	49.0	11.0	
50	66	62	70	47.0	13.0	
55	71	67	75	57.0	13.0	
60	80	72	80	57.0	13.0	
65	85	77	85	67.0	13.0	
70	90	83	92	64,7	15,3	
75	99	88	97	64,7	15,3	
AAS-128P						
d1	d2	d3 (Max)	d6	d7 (H8)	L23 (±0.5)	L24
18	14	32	27	33	19,5	6,5
20	16	34	29	35	19,5	6,5
22	18	36	31	37	22.0	6,5
25	20	39	34	40	25.0	8.0
28	23	42	37	43	27,5	8,5
30	25	44	39	45	27,5	8,5
35	30	49	44	50	29,5	8,5
38	33	54	49	56	30,5	9,5
40	35	56	51	58	30,5	9,5
45	40	61	56	63	30,5	9,5

Mechanical seal **AAS-113**

Temperature: -40°C-150°C

Pressure: ≤ 0.6 mpa

Speed: ≤ 10 m/sec



Materials

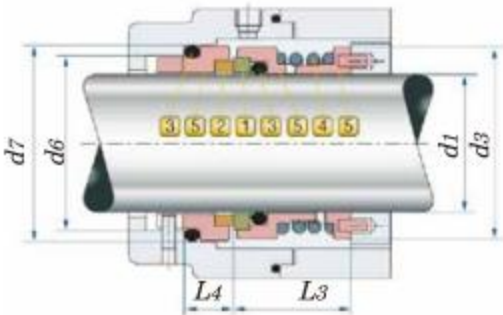
Rotary ring: SIC / TC.

Stationary ring: Carbon / SIC / TC.

Bellows: EPDM / VITON.

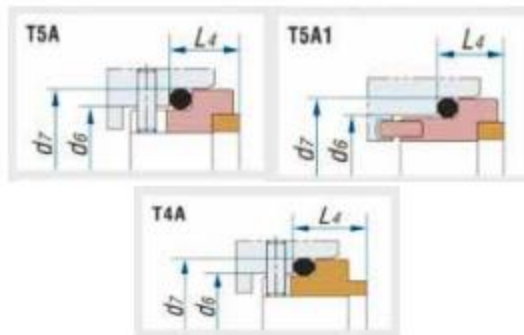
Spring: SS304.

Metal parts: SS304



Type of counter ring

d1 (H6)	d3 (Max)	d6	d7 (h8)	L3 (±0.5)	L4
20	34	29	35	23.0	10.0
22	36	31	37	24.5	10.5
25	39	34	40	24.5	10.5
28	42	37	43	27.5	11.5
30	44	39	45	27.5	11.5
35	49	44	50	27.5	11.5
38	54	49	56	31.0	13.0
40	56	51	58	31.0	13.0
45	61	56	63	31.0	13.0
50	66	62	70	35.0	14.0
55	71	67	75	35.0	14.0
60	80	72	80	46.0	14.0
65	85	77	85	46.0	14.0
70	90	83	92	48.0	17.0
75	99	88	97	48.0	17.0
80	104	95	105	53.0	17.0



The mechanical seal AAS-113 is used in centrifugal pumps, mixers and pumping stations.

Application in pumps Wilo, ABS, Alfa laval, Allweiler, APV, Calpeda, DAB, Ebara, EMU, Flugt, Fristam, Grundfos, Haigh, Hidrostat, Hilde, Inbeat, INOX, Inoxpa, GEA Tuchenhausen.

Analog of mechanical seals: AESSEAL, Flowserve Pac - Seal, ROTEN.



Mechanical seal **AAS-124**

Temperature: -20°C~180°C

Pressure: ≤1.2 mpa

Speed: ≤15m/sec

Materials

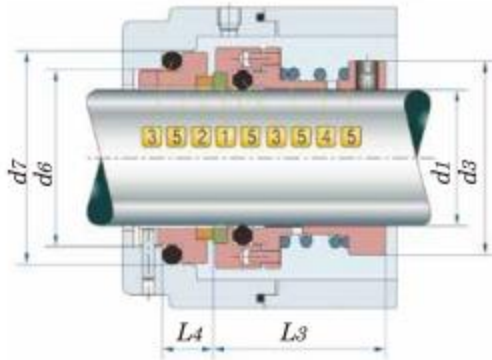
Rotary ring: SIC / TC.

Stationary ring: Ceramic / SIC / TC.

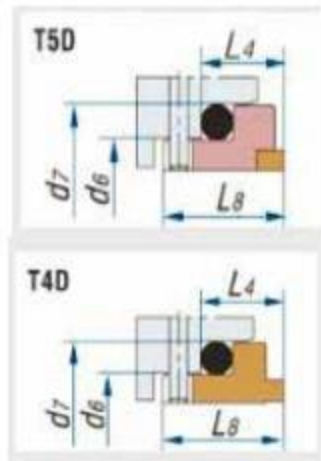
Bellows: NBR / EPDM / VITON.

Spring: SS304

Metal parts: SS304



Type of counter ring



d1 (H6)	d3 (Max)	d6 (h8)	d7 (±0.5)	L3	L4 (h8)	L8
20	34	28,5	36	31.0	15	20
25	39	34,5	42	34.0	15	20
30	49	40,5	50	36.0	15	20
35	57	45,5	55	46,5	15	20
40	62	50,5	60	49,5	15	20
45	67	55,5	65	54,5	15	20
50	72	60,5	70	57,5	16	21
55	77	65,5	75	59,5	16	21
60	82	70,5	80	59,5	16	21
65	91	79,5	89	64,5	17	22
70	96	84,5	94	66,5	17	22
75	101	89,5	99	66,5	17	22
80	106	94,5	104	71,5	17	22
85	111	99,5	109	74,5	17	22
90	116	104,5	114	75,5	17	22
95	121	109,5	119	75,5	17	22

Single mechanical end seal AAS-124

Is applicable to the series of pumps:

SPERONI, Hydrostal, Grundfos. It is used at temperatures from -40 to + 120 degrees Celsius, with a pressure of up to 1.2 MPa and rotation speed of up to 15 m / sec.

Analogue: Burgman, Aesseal , Roten.

Mechanical seal AAS-125

Temperature: -20°C~180°C

Pressure: ≤1.2 mpa

Speed: ≤25m/sec



Materials

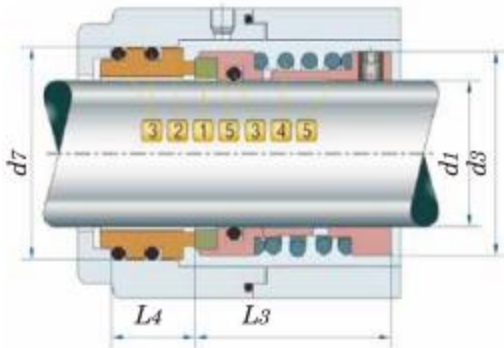
Rotary ring: SIC / TC.

Stationary ring: Carbon / SIC .

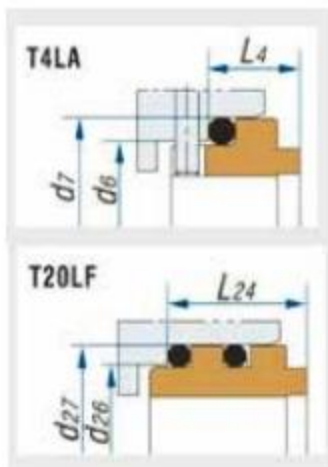
Bellows: NBR / EPDM / VITON / MVQ.

Spring: SS304 / SS316.

Metal parts: SS304 / SS316.



Type of counter ring



d1 (H6)	d3 (Max)	d6 (h8)	d7 (±0.5)	L3	L4 (h8)	d27	L24
20	34	29	35	41	13	37	23
22	36	31	37	41	13	39	23
24	38	33	39	43	13	-	-
25	39	34	40	43	13	40	23
28	42	37	43	45	13	44	23
30	44	39	45	45	13	47	24
33	47	42	48	45	13	48	24
35	49	44	50	49	13	51	24
38	54	50	56	53	13	54	24
40	56	52	58	55	13	57	24
43	59	55	61	55	13	-	-
45	61	57	63	55	13	61	24
48	64	60	66	55	13	64	24
50	66	62	68	60	13	67	24
53	69	65	71	61	13	-	-
55	71	67	73	61	13	73	24
58	76	70	79	63	16	76	24
60	78	72	81	63	16	80	26
63	81	75	84	63	16	83	26
65	83	77	86	67	16	86	26
70	90	83	92	68	16	89	26
75	95	88	97	72	16	95	26
80	100	96	105	72	16	99	26
85	105	101	110	77	16	108	26
90	110	106	115	77	16	111	26
95	115	111	120	82	16	114	26
100	120	116	125	82	16	118	26

Single mechanical seal AAS-125

Is used in centrifugal, sludge, and chemical pumps.



Mechanical seal **AAS-960**

Temperature: -20°C~200°C

Pressure: ≤1.2 mpa

Speed: ≤25m/sec

Materials

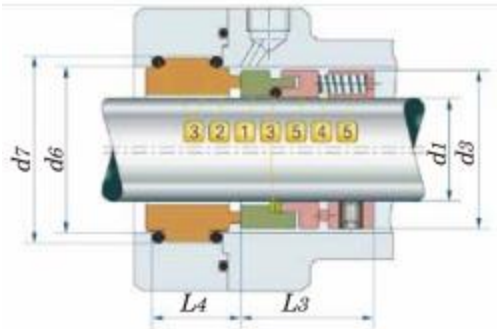
Rotary ring: SUS / SIC / TC.

Stationary ring: Carbon / SIC .

Bellows: NBR / EPDM / VITON/PTFE.

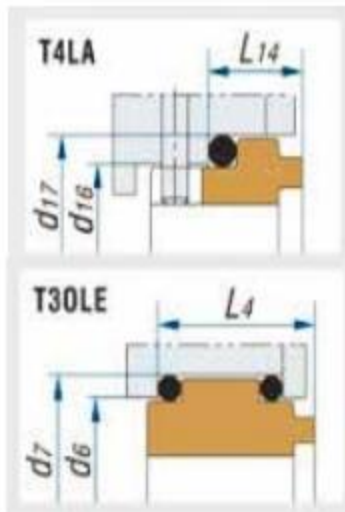
Spring: SS304 / SS316.

Metal parts: SS304 / SS316.



d1 (H6)	d3 (Max)	d6 (h8)	d7 (±0.5)	L3	L4 (h8)	d17	L14
20	34	36	42	35	23	35	13
22	36	38	44	35	23	37	13
24	38	40	46	35	23	39	13
25	39	41	47	35	23	40	13
28	42	44	50	35	23	43	13
30	44	46	52	35	23	45	13
32	46	48	54	35	23	48	13
33	47	49	55	35	23	48	13
35	49	51	57	35	23	50	13
38	54	58	64	38	25	56	13
40	56	60	66	38	25	58	13
43	59	63	69	38	25	61	13
45	61	65	71	38	25	63	13
48	64	68	74	38	25	66	13
50	66	70	76	38	25	68	13
53	69	73	79	40	25	71	13
55	71	75	81	40	25	73	13
58	76	83	89	41	28	79	16
60	78	85	91	41	28	81	16
63	81	88	94	41	28	84	16
65	83	90	96	41	28	86	16
68	86	93	99	41	30	90	16
70	90	95	101	41	30	92	16
75	95	104	110	42	30	97	16
80	100	109	115	42	31	105	16
85	105	114	120	42	31	110	16
90	110	119	125	45	31	115	16
95	115	124	130	45	31	120	16
100	120	129	135	45	31	125	16

Type of counter ring



Single mechanical end seal AAS-960

Is applicable to the series pumps:

centrifugal, food, submersible etc.

Analogue: Burgman, Aesseal, Roten.

Mechanical seal AAS-560D

Temperature: -20°C~80°C

Pressure: ≤ 0.3 mpa

Speed: ≤ 15 m/sec



Materials

Rotary ring: Carbon / SiC.

Stationary ring: Ceramic/SiC.

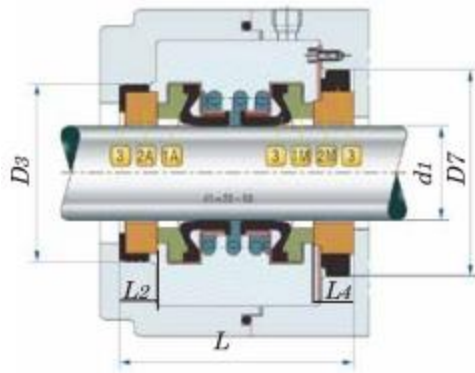
Bellows: NBR/VITON.

Spring: SS304 / SS316.

Metal parts: SS304 / SS316.

AAS-560D

d1 (H6)	D3 (Max)	D7 (h8)	L (±0.5)	L2	L4
13	25	25	36	5	5
14	30	30	37	5	5
15	30	30	37	5	5
16	30	30	37	5	5
18	35	38	49	7	10
19	35	38	49	7	10
20	38	44	49	7	7
25	44	50	51	7	7
30	50	57	59	9	8
35	58	64	61	9	9
40	64	70	64	11	9
45	66	70	65	10	9
50	72	80	69	10	9



Mechanical seal AAS-560D

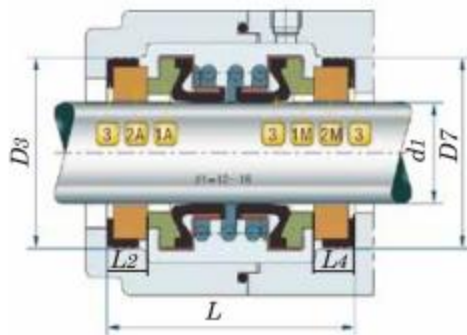
It is used in drainage and sewage pumps.

Analogue: EA560D Burgmann, John Crane 6, AESSEAL B04

The double end seal is an analogue of the Burgmann seal and fully corresponds to it in terms of technical characteristics, quality and reliability.

This type of seal is used in pumps, compressors, equipment for the food and chemical industries, etc. - it means wherever it is necessary to provide high-quality sealing of rotating shafts.

High reliability of the double face seal is provided by the design of the unit with two seals - primary and secondary. The main lubricant for the assembly operation is the product itself, with which the equipment works.





Mechanical seal **AAS-202/208**

Temperature: -20°C~80°C

Pressure: ≤ 0.16 mpa

Speed: ≤ 15 m/sec

Materials

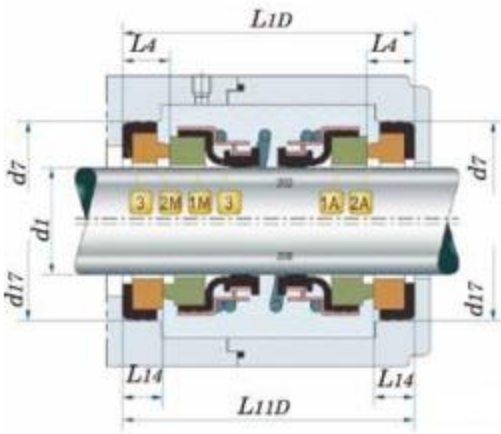
Rotary ring: Carbon / SIC / TC.

Stationary ring: Carbon / Ceramic/ SIC / TC.

Bellows: NBR/VITON.

Spring: SS304 / SS316.

Metal parts: SS304 / SS316.



Double-sided mechanical seal AAS-202/208

Is applicable to the series pumps:

Haigh, Hidrostal, Hilde, Inbeat, INOX, Inoxpa, Jabsco, Johnson, KSB, Lowara, Mouvex, Nissin, KSB, Lowara, Mouvex, Nissin, and another pumps.

Analogue: EA560D Burgmann, John Crane 6, AESSEAL B04

AAS-202

d1 (H6)	d3 (Max)	d7 (h8)	L10D (± 0.5)	L4
14	25.5	26/28	38/42	7.0
16	27.5	28/30	38/45	7.0
17	32.5	34/35	38/43/48	7.0
18	32.5	34/35	38/43/48	7.0
20	33.0	36	40/42/47	7.0
22	38.0	38	45	7.0
25	40.0	41	51	9.0
30	45.5	46	51	9.0
35	51.0	51	51	9.0
40	57.5	60	61	10.5
45	63.0	65	61	10.5

AAS-208

d1 (H6)	d3 (Max)	D17 (h8)	L11D (± 0.5)	L14
10	21.0	21	30	5.3
12	23.0	23/24/26	32	5.3
14	25.5	25/26/28	35/38/42	5.3
15	27.5	27/28/30	38/45	5.3
16	27.6	27/28/30	38/45	5.3
17	32.5	33/34/35	38/43/48	5.3
18	32.5	33/34/35	38/43/48	5.3
20	33.0	35/36	40/42/47	5.8
22	38.0	37/38	45	6.2
25	40.0	40/41	48/51	7.5
28	43.0	43	51	8.0
30	45.5	45	51	8.0
35	51.0	50	51	8.0
40	57.6	58	61	9.5
45	63.0	63	61	9.5

Mechanical seal AAS-4702

Temperature: -20°C~70°C

Pressure: ≤ 0.3 mpa

Speed: ≤ 20 m/sec



Materials

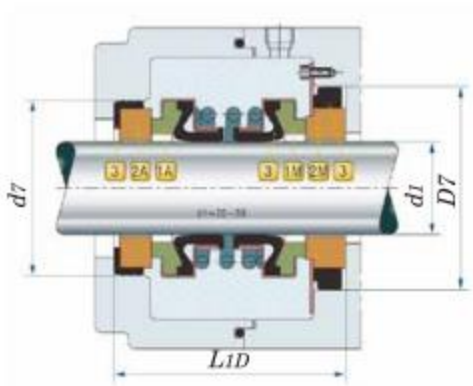
Rotary ring: Carbon / SiC.

Stationary ring: Ceramic/ SiC .

Bellows: NBR/VITON.

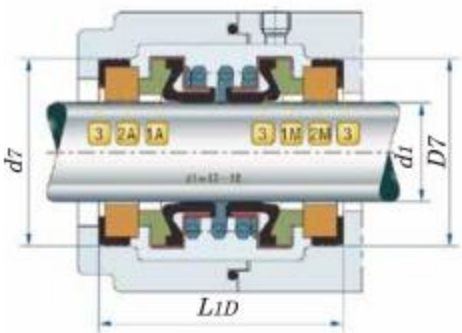
Spring: SS304 / SS316.

Metal parts: SS304 / SS316.



AAS-4702

d1 (H6)	d7 (Max)	D7 (h8)	L1D (± 0.5)	L4	LI4
12	25	25	36,0	5	5
13	25	25	36,0	5	5
14	30	30	38,0	5	5
15	30	30	38,0	5	5
16	30	30	38,0	5	5
18	35	38	49,0	7	7
19	35	38	49,0	7	7
20	38	44	49,0	7	7
25	44	50	51,0	7	7
30	50	57	59,0	9	8
35	58	64	61,0	9	9
40	64	70	64,5	11	9
45	66	70	65,0	10	9
50	72	80	69.5	10	9



Double-sided mechanical seal AAS-4702

Is applicable to the series of pumps:

Haigh, Hidrostal, Hilde, Inbeat, INOX, Inoxpa, Jabsco, Johnson, KSB, Lowara, Mouvex, Nissin, KSB, Lowara, Mouvex, Nissin, and another pumps.

Analogue: EA560D Burgmann, John Crane 6, AESSEAL B04

Mechanical seal **AAS-M74D**

Temperature: -20°C~200°C

Pressure: ≤1.6 mpa

Speed: ≤20m/sec



Materials

Rotary ring: Car / SIC / TC.

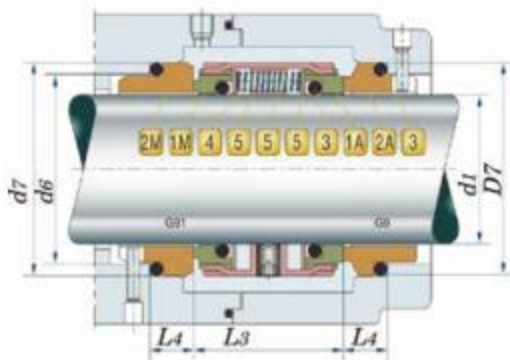
Stationary ring: Car / SIC / TC..

Bellows: EPDM / VITON / NBR.

Spring: SS304 / SS316.

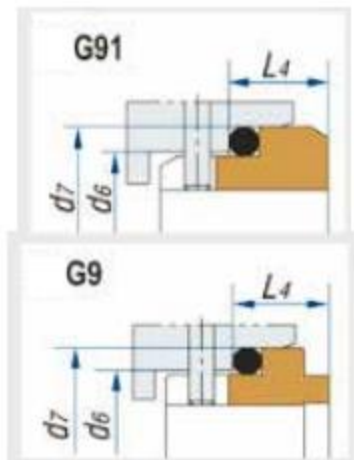
Metal parts: SS304 / SS316.

AAS-M74D



d1 (H6)	d3 (Max)	d6	d7 (h8)	L3 (±0.5)	L4
18	33	27	33	38.0	11.5
20	35	29	35	38.0	11.5
22	37	31	37	38.0	11.5
24	39	33	39	38.0	11.5
25	40	34	40	38.0	11.5
28	43	37	43	39.0	11.5
30	45	39	45	39.0	11.5
32	47	42	48	39.0	11.5
33	48	42	48	39.0	11.5
35	50	44	50	39.0	11.5
38	55	49	56	41.0	14.0
40	57	51	58	42.0	14.0
43	60	54	61	42.0	14.0
45	62	56	63	42.0	14.0
48	65	59	66	42.0	14.0
50	67	62	70	43.0	15.0
53	70	65	73	43.0	15.0
55	72	67	75	43.0	15.0
58	79	70	78	56.0	15.0
60	81	72	80	56.0	15.0
63	84	75	83	55.0	15.0
65	86	77	85	55.0	15.0
68	89	81	90	55.0	18.0
70	91	83	92	56.0	18.0
75	99	88	97	56.0	18.0
80	104	95	105	56.0	18.2
85	109	100	110	56.0	18.2

Type of counter ring



The AAS-M74D double face seal

Used in fecal and submersible pumps for sewage, dirty water, or low-aggressive liquids.

Analogue: Burgmann M74D, Anga VD

Mechanical seal AAS-802

Temperature: -20°C~180°C

Pressure: ≤0.5 mpa

Speed: ≤12m/sec

Materials

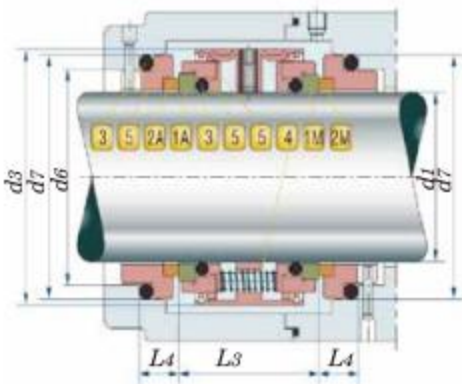
Rotary ring: SIC / TC.

Stationary ring: Carbon / SIC / TC.

Bellows: EPDM / VITON / NBR.

Spring: SS304 / SS316.

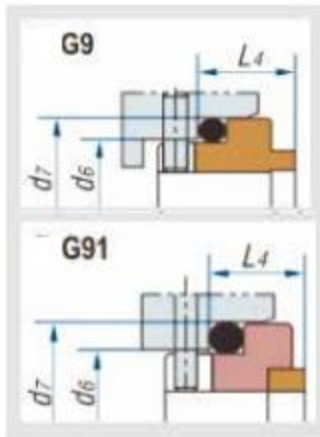
Metal parts: SS304 / SS316.



Type of counter ring

AAS-802

d1 (H6)	d3 (Max)	d6	d7 (h8)	L3 (±0.5)	L4
20	38	29	35	39	11,5
25	43	34	40	39	11,5
30	48	39	45	39	11,5
35	53	44	50	40	11,5
40	61	51	58	45	14
45	66	56	63	45	14
50	73	62	70	46	15
55	78	67	75	46	15
60	83	72	80	56	15
65	88	77	85	56	15
70	95	83	92	58	18
75	100	88	97	58	18
80	108	95	105	58	18,2



Double mechanical seal AAS-802

It is applied to fecal and submersible pumps for sewage, turbid water or slightly aggressive liquids with solid particles

Analogue: Crane 87 (EI/ EC) seal, Roplan RTH87/ R90



Mechanical seal **AAS-502**

Temperature: -20°C~180°C

Pressure: ≤0.5 mpa

Speed: ≤12m/sec

Materials

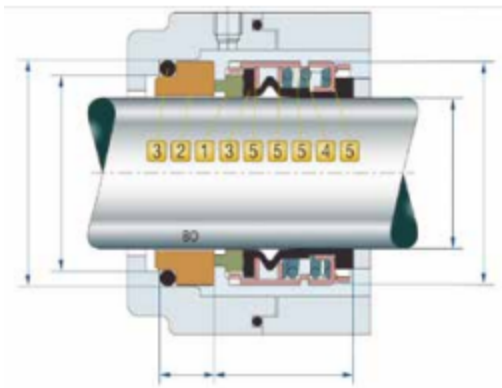
Rotary ring: SIC / TC.

Stationary ring: Carbon / SIC / TC.

Bellows: EPDM / VITON / NBR.

Spring: SS304 / SS316.

Metal parts: SS304 / SS316.



Single mechanical seal AAS-502

Application in pumps Wilo, ABS, Alfa laval, Allweiler, GEA Tuuchenhagen, INOX, Inoxpa, Jabsco, Johnson, KSB and another pumps.

Analogue: John Crane 502B, 8-1, Asseal B092SSU/S-LU, STERLING 502,VULCAN 1724

AAS-502	d1 (H6)	d3 (Max)	d7 (H8)	L3 (±0.5)	L4
	14	24	25	23.0	12.0
	16	26	27	23.0	12.0
	18	32	33	24.0	13.5
	20	34	35	24.0	13.5
	22	36	37	24.0	13.5
	24	38	39	26,7	13.3
	25	39	40	27.0	13.0
	28	42	43	30.0	12.5
	30	44	45	30.5	12.0
	32	46	48	30.5	12.0
	33	47	48	30.5	12.0
	35	49	50	30.5	12.0
	38	54	56	32.0	13.0
	40	56	58	32.0	13.0
	43	59	61	32.0	13.0
	45	61	63	32.0	13.0
	48	64	66	32.0	13.0
	50	66	70	34.0	13.5
	53	69	73	34.0	13.5
	55	71	75	34.0	13.5
	58	78	78	39.0	13.5
	60	80	80	39.0	13.5
	63	83	83	39.0	13.5
	65	85	85	39.0	13.5
	68	88	90	39.0	13.5
	70	89	92	45.5	14.5
	75	96	97	45.5	14.5
	80	104	105	45.0	15.0
	85	108	110	45.0	15.0
	90	114	115	50.0	15.0
	95	118	120	50.0	15.0
	100	124	125	50.0	15.0

Mechanical seal AAS-JB104

Temperature: -20°C~80°C

Pressure: ≤0.8 mpa

Speed: ≤15m/sec



Materials

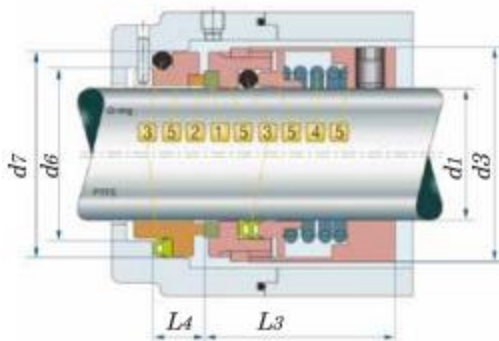
Rotary ring: SIC / TC.

Stationary ring: Carbon / SIC / TC.

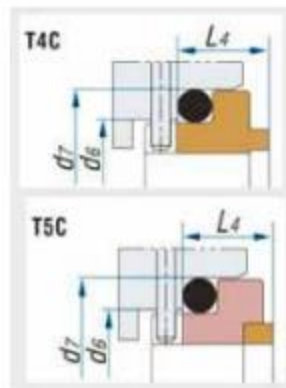
Bellows: NBR / EPDM / VITON / PTFE.

Spring: SS304 / SS316.

Metal parts: SS304 / SS316.



Type of counter ring



AAS-104	d1 (H6)	d3 (Max)	d6 (h8)	d7	L3 (±0.5)	L4
	16	33	25,5	33	37	12
	18	35	28,5	36	40	12
	20	37	30,5	40	40	14
	22	39	32,5	42	43	14
	25	42	35,5	45	43	14
	28	45	38,5	48	44	14
	30	52	40,5	50	49	14
	35	57	45,5	55	51	14
	40	62	50,5	60	54	14
	45	67	55,5	65	60	14
	50	72	60,5	70	63	14
	55	77	65,5	75	65	14
	60	82	70,5	80	65	14
	65	92	80,5	90	74	17
	70	97	85,5	97	76	19
	75	102	90,5	102	76	19
	80	107	95,5	107	81	19
	85	112	100,5	112	82	19
	90	117	105,5	117	83	19
	95	122	110,5	122	83	19
	100	127	115,5	127	83	19
	110	141	130,5	142	105	21
	120	151	140,5	152	105	21

Single mechanical seal AAS-JB104

Application in pumps Applicable in pumps Hidrostral, Inbeat, Grundfos, Haigh, Hilde, INOX, Inoxpa, Jabsco, Johnson and another pumps.

Analogue: Burgmann, John Crane, Flowserve, Latty, Roten, Sealol.



Mechanical seal **AAS-58U/59U**

Temperature: -40°C~200°C

Pressure: ≤1.7 mpa

Speed: ≤25m/sec

Materials

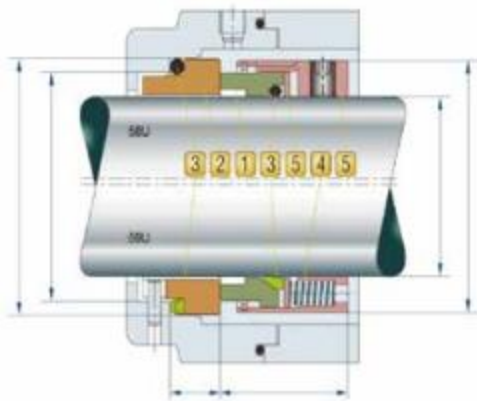
Rotary ring: Carbon / SIC / TC.

Stationary ring: SIC / TC / SUS .

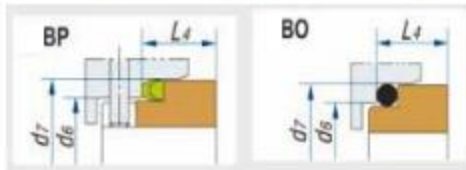
Bellows: EPDM / VITON / PTFE.

Spring: SSS304 / SS316.

Metal parts: SS304 / SS316.



Type of counter ring



Single mechanical seal series AAS-58U/59U

Is applicable to the pumps of Ebara, Lowara, Colfax, Houttuin series.

Analogue: John Crane T109, T9, T909 seal Roten 90 seal Sealol T seal Sterling 290 seal, Vulcan 1659.

AAS-58U/59U

d1 (H6)	d3 (Max)	d6	d7 (h8)	L3 (±0.5)	L4
18	32	27	33	24.0	13.5
20	34	29	35	24.0	13.5
22	36	31	37	24.0	13.5
24	38	33	39	26.7	13.3
25	39	34	40	27.0	13.0
28	42	37	43	30.0	12.5
30	44	39	45	30.5	12.0
32	46	42	48	30.5	12.0
33	47	42	48	30.5	12.0
35	49	44	50	30.5	12.0
38	54	49	56	32.0	13.0
40	56	51	58	32.0	13.0
43	59	54	61	32.0	13.0
45	61	56	63	32.0	13.0
48	64	59	66	32.0	13.0
50	66	62	70	34.0	13.5
53	69	65	73	34.0	13.5
55	71	67	75	34.0	13.5
58	78	70	78	39.0	13.5
60	80	72	80	39.0	13.5
63	83	75	83	39.0	13.5
65	85	77	85	39.0	13.5
68	88	81	90	39.0	13.5
70	90	83	92	45.5	14.5
75	95	88	97	45.5	14.5
80	104	95	105	45.5	15.0
85	109	100	110	45.5	15.0
90	114	105	115	50.0	15.0
95	119	110	120	50.0	15.0
100	124	115	125	50.0	15.0



Mechanical seal AAS-102U

Temperature: -30°C~180°C

Pressure: ≤ 1.2 mpa

Speed: ≤ 10 m/sec

Materials

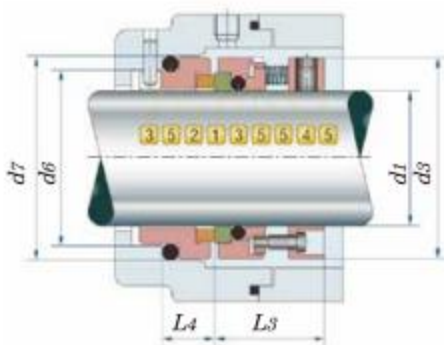
Rotary ring: SIC / TC.

Stationary ring: Carbon / SIC / TC.

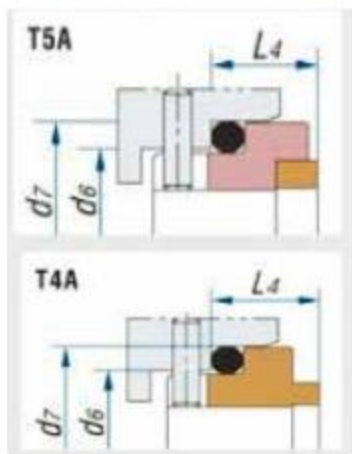
Bellows: EPDM / VITON.

Spring: SSS304 / SS316.

Metal parts: SS304 / SS316.



Type of counter ring



AAS-102U

d1 (H6)	d3 (Max)	d6	d7 (h8)	L3 (± 0.5)	L4
25	40	34	40	26.0	10.5
28	43	37	43	26.0	11.5
30	45	39	45	26.0	11.5
35	50	44	50	30.0	11.5
40	56	51	58	35.0	13.0
45	62	56	63	37.0	13.0
50	69	62	70	38.0	14.0
55	74	67	75	38.0	14.0
60	79	72	80	38.0	14.0
65	84	77	85	39.0	14.0
70	91	83	92	39.0	17.0
75	96	88	97	42.0	17.0
80	104	95	105	42.0	17.0
85	109	100	110	42.0	17.0

Single end seal AAS-102U

It is used in pumps of the Sarlin, Tuchenhagen, Hilge, HM, HMS series and etc. It is used at temperatures from -40 to +120 degrees Celsius, with a pressure of up to 1.2 MPa and rotation speed of up to 10 m/sec.

Analogue: John Crane T109, T9, T909 seal Roten 90 seal, Sealol T seal, Sterling 290 seal.



Mechanical seal **AAS-HJ92N**

Temperature: -20°C~200°C

Pressure: ≤2.5 mpa

Speed: ≤25m/sec

Materials

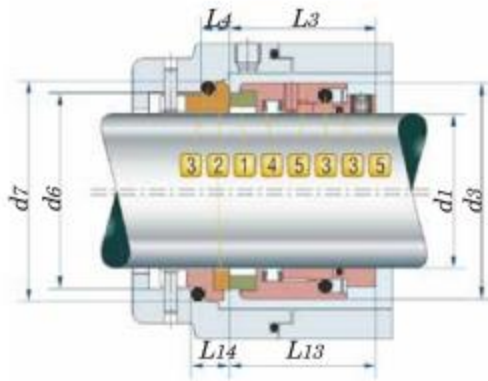
Rotary ring: Carbon / SIC

Stationary ring: SIC / TC.

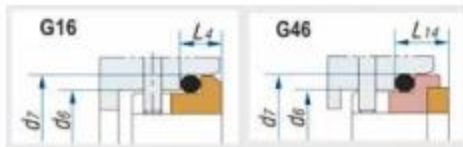
Bellows: NBR / EPDM / VITON.

Spring: SSS304 / SS316.

Metal parts: SS304 / SS316.



Type of counter ring



Single end seal AAS-HJ92N

It is used for Alfa Laval, Ebara (3M, DWO), Lowara, KSB (Etanorm, Etachrom), WILO (MVI, MHI, IPL/DPL), Grundfos (CDM), Saer (IP), and (IP), Calpeda (GM, MXS), Hecker HN 410SU pumps.

Analogue: SHJ97 Burgmann HJ92N seal, Roten seal EHS3, AESSEAL MO10.

d1 (H6)	d3 (Max)	d6 (h8)	d7	L3 (±0.5)	L4	L13	L14
18	32	27	33	30.5	7.0	28.5	9.0
20	34	29	35	30.5	7.0	28.5	9.0
22	36	31	37	30.5	7.0	28.5	9.0
24	38	33	39	33.0	7.0	31.0	9.0
25	39	34	40	33.0	7.0	31.0	9.0
28	42	37	43	35.5	7.0	33.0	9.5
30	44	39	45	35.5	7.0	33.0	9.5
32	47	42	48	35.5	7.0	33.0	9.5
33	47	42	48	35.5	7.0	33.0	9.5
35	49	44	50	35.5	7.0	33.0	9.5
38	54	49	56	37.0	8.0	34.5	10.5
40	56	51	58	37.0	8.0	34.5	10.5
43	59	54	61	37.0	8.0	34.5	10.5
45	61	56	63	37.0	8.0	34.5	10.5
48	64	59	66	37.0	8.0	34.5	10.5
50	66	62	70	38.0	9.5	35.5	12.0
53	69	65	73	38.0	9.5	35.5	12.0
55	71	67	75	38.0	9.5	35.5	12.0
58	78	70	78	42.0	10.5	39.5	13.0
60	80	72	80	42.0	10.5	39.5	13.0
63	83	75	83	42.0	10.5	39.5	13.0
65	85	77	85	42.0	10.5	39.5	13.0
68	88	81	90	41.5	11.0	39.0	13.5
70	90	83	92	48.5	11.5	46.0	14.0
75	99	88	97	48.5	11.5	46.0	14.0
80	104	95	105	48.5	11.5	46.0	14.0
85	109	100	110	48.5	11.5	46.0	14.0
90	114	105	115	52.0	13.0	49.5	15.5
95	119	110	120	52.0	13.0	49.5	15.5
100	124	115	125	52.0	13.0	49.5	15.5



Mechanical seal **AAS-606**

Temperature: -20°C–400°C

Pressure: ≤2.5 mpa

Speed: ≤15m/sec

Materials

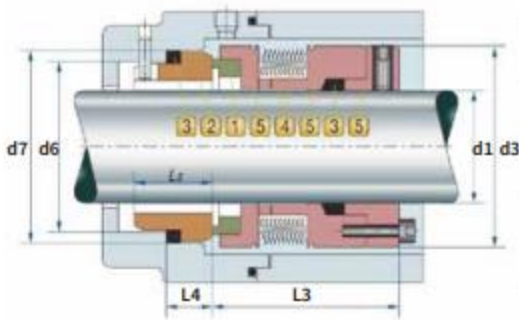
Rotary ring: Carbon/ SIC / TC.

Stationary ring: SIC / SUS / TC.

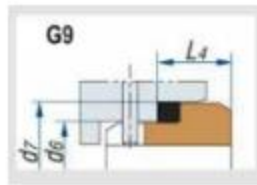
Bellows: M6/T6

Spring: SSS304 / SS316.

Metal parts: SS304 / SS316.



Type of counter ring



Mechanical end seal AAS-606 with metal welded bellows.

Used in pumps: Lowara, Ebara (3M), EMU, Flugt, Fristam, GEA Tuchenhagen, Goetze, etc.

Analogue: Burgmann MBS100, MFLWT 80, MFLCT.

d1 (H6)	d3 (Max)	d6 (h8)	d7 (±0.5)	L3	L4 (h8)	L8
18	40	31	37	46.5	11.5	19.5
20	42	34	40	46.5	11.5	19.5
22	44	37	43	46.5	11.5	19.5
24	46	37	43	46.5	11.5	19.5
25	47	39	45	46.5	11.5	19.5
28	50	42	48	46.5	11.5	19.5
30	52	44	50	46.5	11.5	19.5
32	54	49	56	46.5	14.0	22.0
33	55	49	56	46.5	14.0	22.0
35	57	51	58	46.5	14.0	22.0
38	60	54	61	46.5	14.0	22.0
40	66	56	63	47.5	14.0	22.0
43	69	59	66	47.5	14.0	22.0
45	71	62	70	47.5	15.0	23.0
48	74	65	73	47.5	15.0	23.0
50	76	67	75	47.5	15.0	23.0
53	79	70	78	47.5	15.0	23.0
55	81	72	80	47.5	15.0	23.0
58	85	75	83	53.0	15.0	23.0
60	87	77	85	53.0	15.0	23.0
63	90	81	90	53.0	18.0	26.0
65	92	83	92	53.0	18.0	26.0
68	95	88	97	53.0	18.0	26.0
70	97	88	97	53.0	18.0	26.0
75	102	95	105	52.8	18,2	26,2
80	107	100	110	52.8	18,2	26,2
85	112	105	115	52.8	18,2	26,2
90	117	110	120	53.8	17,2	25,2
95	122	115	125	53.8	17,2	25,2
100	127	122	134.3	54.0	20.0	30.0



Mechanical seal **AAS-RFL85N**

Temperature: -20°C~260°C

Pressure: ≤2.5 mpa

Speed: ≤15m/sec

Materials

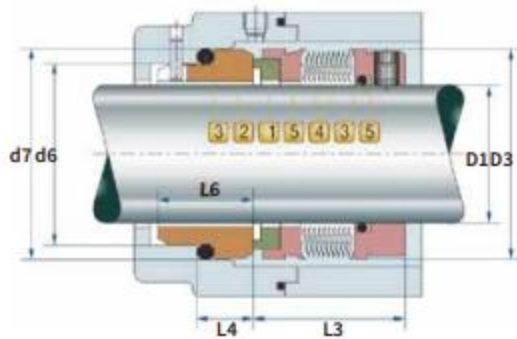
Rotary ring: Carbon/ SIC / TC.

Stationary ring: SIC / SUS / TC.

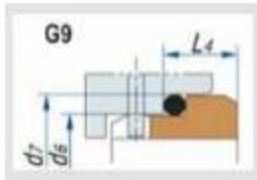
Bellows: M6/T6/M3

Spring: SSS304 / SS316.

Metal parts: SS304 / SS316.



Type of counter ring



Single mechanical end seal AAS-RFL85N

Used in pumps: Lowara, Ebara (3M), EMU, Flugt, Fristam, GEA Tuchenhagen, Goetze, etc.

Analogue: Burgmann MFL85N, MFLWT, MFLCT

d1 (H6)	d3 (Max)	d6 (h8)	d7	L3 (±0.5)	L4	L6 (h8)
18	32.0	27	33	30.5	7.0	14.0
20	33.5	29	35	30.5	7.0	14.0
22	36.5	31	37	30.5	7.0	14.0
24	39.0	33	39	28.5	11.5	19.5
25	39.6	34	40	28.5	11.5	19.5
28	42.8	37	43	31.0	11.5	19.5
30	45.0	39	45	31.0	11.5	19.5
32	46.0	42	48	31.0	11.5	19.5
33	48.0	42	48	31.0	11.5	19.5
35	49.2	44	50	31.0	11.5	19.5
38	52.3	49	56	31.0	14.0	22.0
40	55.5	51	58	31.0	14.0	22.0
43	57.5	54	61	31.0	14.0	22.0
45	58.7	56	63	31.0	14.0	22.0
48	61.9	59	66	31.0	14.0	22.0
50	65.0	62	70	32.5	15.0	23.0
53	68.2	65	73	32.5	15.0	23.0
55	70.0	67	75	32.5	15.0	23.0
58	71.7	70	78	37.5	15.0	23.0
60	74.6	72	80	37.5	15.0	23.0
63	79.0	75	83	37.5	15.0	23.0
65	84.1	77	85	37.5	15.0	23.0
68	87.3	81	90	34.5	18.0	26.0
70	87.3	83	92	42.0	18.0	26.0
75	95.0	88	97	42.0	18.0	26.0
80	98.4	95	105	41.8	18.2	26.2
85	104.7	100	110	41.8	18.2	26.2
90	111.0	105	115	46.8	18.2	26.2
95	114.0	110	120	47.8	17.2	25.2
100	117.4	115	125	47.8	17.2	25.2



Mechanical seal **AAS-109/8U**

Temperature: -40°C~200°C

Pressure: ≤2.4 mpa

Speed: ≤25m/sec

Materials

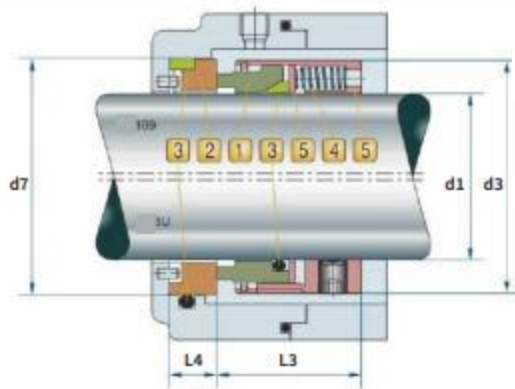
Rotary ring: Carbon / SIC.

Stationary ring: SIC / TC.

Bellows: EPDM / VITON / PTFE.

Spring: SSS304 / SS316.

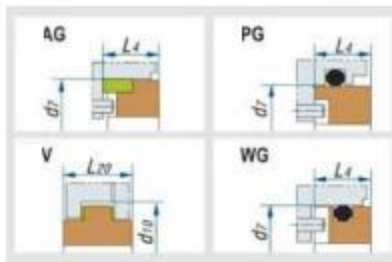
Metal parts: SS304 / SS316.



AAS-109 (Inch)

	d1 (H6)	d3 (Max)	d7 (h8)	L3 (±0.5)	L4	D10 (h8)	L20
0.750	19.05	34.0	34.93	22.2	10.3	48.0	17.6
0.875	22.23	37.2	38.10	23.8	10.3	51.0	17.6
1.000	25.40	40.3	41.28	25.4	11.1	54.0	17.6
1.125	28.58	43.5	44.45	27.0	11.1	62.0	27.0
1.250	31.75	48.3	47.63	27.0	11.1	68.0	27.0
1.375	34.93	51.5	50.80	28.6	11.1	71.0	27.0
1.500	38.10	54.6	53.98	28.6	11.1	78.0	27.0
1.625	41.28	61.0	60.33	35.0	12.7	81.0	27.0
1.750	44.45	64.2	63.50	35.0	12.7	84.0	27.0
1.875	47.63	67.3	66.68	35.0	12.7	87.0	27.0
2.000	50.80	70.5	69.85	35.0	12.7	97.0	33.3
2.125	53.98	76.9	76.20	43.0	14.3	100.0	33.3
2.250	57.15	80.0	79.38	43.0	14.3	103.0	33.3
2.375	60.33	83.2	82.55	43.0	14.3	106.0	33.3
2.500	63.50	86.4	85.73	43.0	14.3	110.0	33.3
2.625	66.68	89.6	85.73	43.0	15.9	113.0	33.3
2.750	69.85	92.7	88.90	43.0	15.9	116.0	33.3
2.875	73.03	98.9	95.25	43.0	15.9	117.0	33.3
3.000	76.02	97.5	98.43	43.0	15.9	121.0	33.3
3.125	79.38	100.7	101.60	43.0	19.8	-	33.3
3.250	82.55	105.4	104.78	43.0	19.8	132.0	33.3
3.375	85.73	108.6	107.95	43.0	19.8	-	33.3
3.500	88.90	111.8	111.13	43.0	19.8	138.0	33.3
3.625	92.08	115.0	114.30	43.0	19.8	-	33.3
3.750	95.25	118.1	117.48	43.0	19.8	144.0	33.3
3.875	98.43	121.3	120.65	43.0	19.8	-	33.3
4.000	101.60	124.5	123.83	43.0	19.8	151.0	33.3

Type of counter ring



Single mechanical end seal AAS-109/AAS-8U

The mechanical seals of this series have a compact structure and high resistance to aggressive media. Flugt, Fristam, GEA Tuchenhagen, Goetze, etc.

Analogue: John Crane 109, 8-1, Asseal.

Mechanical seal AAS-58B/59B

Temperature: -40°C~200°C

Pressure: ≤ 2.5 mpa

Speed: ≤ 25 m/sec



Materials

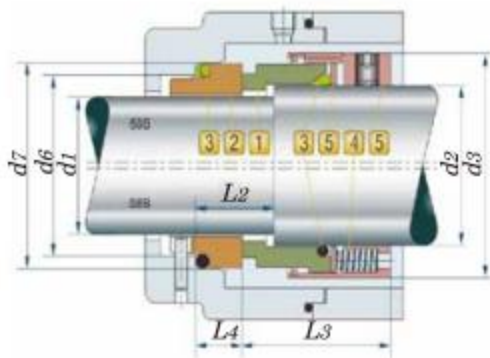
Rotary ring: Carbon / SIC / TC.

Stationary ring: SIC / TC / SUS .

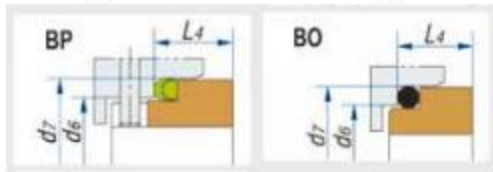
Bellows: EPDM / VITON / PTFE.

Spring: SSS304 / SS316.

Metal parts: SS304 / SS316.



Type of counter ring



Single mechanical seal of AAS-58B, AAS-58B series is applied to the pumps of the following series: Ebara, Hidrostral, Godwin and etc.

Analogue: JohnCraneT109, T9,T909 seal
Roten 90 seal, Sealol T seal, Sterling 290 seal.

d1 (H6)	d2 (Max)	d3 (h8)	d6 (±0.5)	d7	L2 (h8)	L3	L4
16	20	34	23	27	18	30.5	12.0
18	22	36	27	33	20	31.5	13.5
20	24	38	29	35	20	31.5	13.5
22	26	40	31	37	20	31.5	13.5
24	28	42	33	39	20	34.2	13.3
25	30	44	34	40	20	34.5	13.0
28	33	47	37	43	20	37.5	12.5
30	35	49	39	45	20	38.0	12.0
32	38	54	42	48	20	38.0	12.0
33	38	54	42	48	20	38.0	12.0
35	40	56	44	50	20	38.0	12.0
38	43	59	49	56	23	39.5	13.0
40	45	61	51	58	23	39.5	13.0
43	48	64	54	61	23	39.5	13.0
45	50	66	55	63	23	39.5	13.0
48	53	69	59	66	23	39.5	13.0
50	55	71	62	70	25	44.0	13.5
53	58	78	65	73	25	44.0	13.5
55	60	80	67	75	25	44.0	13.5
58	63	83	70	78	25	49.0	13.5
60	65	85	72	80	25	49.0	13.5
63	68	88	75	83	25	49.0	13.5
65	70	90	77	85	25	49.0	13.5
70	75	95	83	92	28	55.5	14.5
75	80	104	88	97	28	55.5	14.5
80	85	109	95	105	28	55.0	15.0
85	90	114	100	110	28	60.0	15.0
90	95	119	105	115	28	60.0	15.0
95	100	124	110	120	28	60.0	15.0
100	105	129	115	125	28	60.0	15.0



Mechanical seal **AAS-AL**

Temperature: -20°C~150°C

Pressure: ≤ 0.6 mpa

Speed: ≤ 15 m/sec

Materials

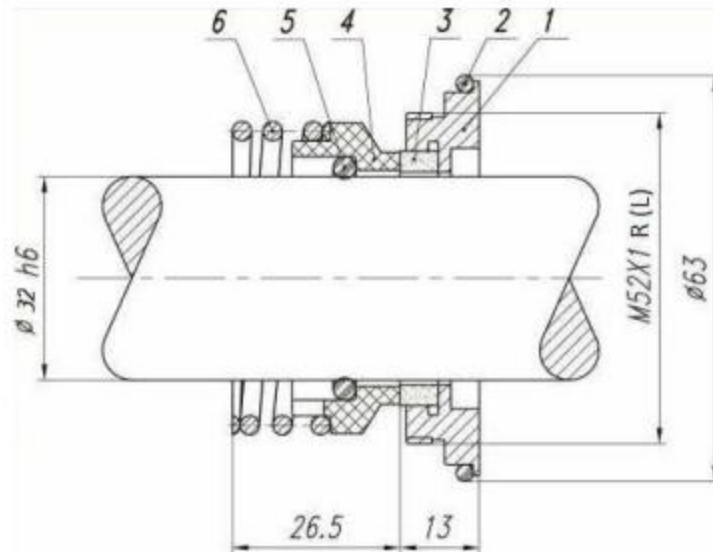
Rotary ring: Carbon

Stationary ring: SIC / TC

Bellows: EPDM

Spring: SSS304 / SS316.

Metal parts: SS304 / SS316.



Single mechanical end seal AAS-AL

Application in ALFA LAVAL LKH Series pump

Analog: AESSEAL T07 / T07D / T07X, Burgmann M2N, Roten UNITEN 22, Hecker HN 400A.



Mechanical seal AAS-M7N/M74N

Temperature: -20°C~200°C

Pressure: ≤1.6 mpa

Speed: ≤20m/sec

Materials

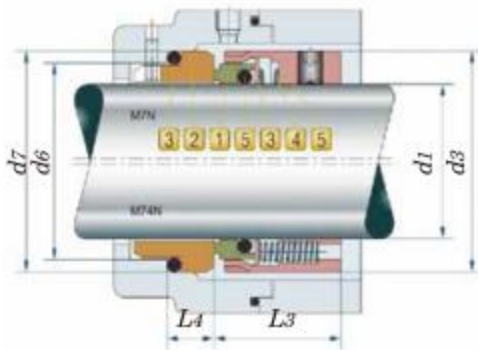
Rotary ring: Carbon / SIC / SUS.

Stationary ring: Carbon/SIC/SUS.

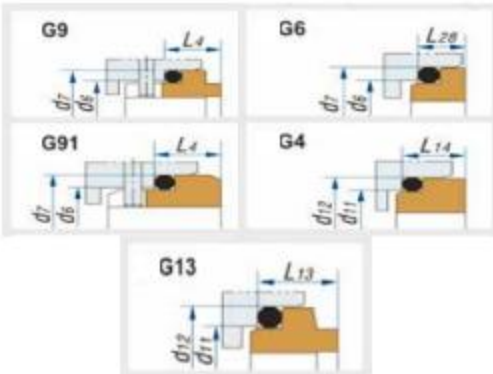
Bellows: EPDM / VITON.

Spring: SSS304 / SS316.

Metal parts: SS304 / SS316.



Type of counter ring



Single mechanical end seal AAS-M7N/M74N

Used in pumps: Lowara, Ebara (3M), EMU, Flugt, Fristam, GEA Tuchenhagen, Goetze, etc.

Analogue: Burgmann M7N, M74, Aesseal W07DM, W07DMB, Vulcan 1677.

d1	d3	d7	L3	L4	L28	d12	L13	L14
(H6) (Max)	(h8)	(h8)	(±0.5)			(h8)		
16	27	27	25.0	10.0	6.6	28.0	9.0	7.5
18	33	33	26.0	11.5	7.5	30.0	10.0	8.0
20	35	35	26.0	11.5	7.5	35.0	9.5	7.5
22	37	37	26.0	11.5	7.5	35.0	9.5	7.5
24	39	39	28.5	11.5	7.5	38.0	9.5	7.5
25	40	40	28.5	11.5	7.5	38.0	9.5	7.5
28	43	43	31.0	11.5	7.5	42.0	11.0	9.0
30	45	45	31.0	11.5	7.5	45.0	11.0	10.5
32	47	48	31.0	11.5	7.5	48.0	11.0	10.5
33	48	48	31.0	11.5	7.5	50.0	11.5	10.5
35	50	50	31.0	11.5	9.0	52.0	11.5	11.0
38	55	56	31.0	14.0	9.0	55.0	11.5	10.3
40	57	58	31.0	14.0	9.0	58.0	11.5	10.8
43	60	61	31.0	14.0	9.0	62.0	14.3	12.0
45	62	63	31.0	14.0	9.0	64.0	14.3	11.6
48	65	66	31.0	14.0	9.0	68.4	14.3	11.6
50	67	70	32.5	15.0	9.5	69.3	14.3	11.6
53	70	73	32.5	15.0	11.0	72.3	14.3	12.3
55	72	75	32.5	15.0	11.0	75.4	15.3	13.3
60	81	80	37.5	15.0	11.0	80.4	15.3	13.3
63	84	83	37.5	15.0	11.0	83.4	15.3	13.3
65	86	85	37.5	15.0	11.0	85.4	15.3	13.0
68	89	90	34.5	18.0	11.3	91.5	16.0	13.7
70	91	92	42.0	18.0	11.3	92.0	15.3	13.0
75	99	97	42.0	18.0	11.3	99.0	15.3	14.8
80	104	105	41.8	18.2	12.0	104.0	16.3	14.8
85	109	110	41.8	18.2	14.0	109.0	16.3	14.8
90	114	115	46.8	18.2	14.0	114.0	16.3	14.8
95	119	120	47.8	17.2	14.0	120.3	17.3	15.8
100	124	125	47.8	17.2	14.0	123.3	17.3	15.8
105	138	134.3	47.0	20.0	-	-	-	-
110	143	140.3	47.0	20.0	-	-	-	-
115	148	148.3	47.0	20.0	-	-	-	-
120	153	150.3	47.0	20.0	-	-	-	-
125	158	154.3	47.0	20.0	-	-	-	-

Mechanical seal AAS-109B/8B-1

Temperature: -20°C~200°C

Pressure: ≤5.8 mpa

Speed: ≤25m/sec

Materials

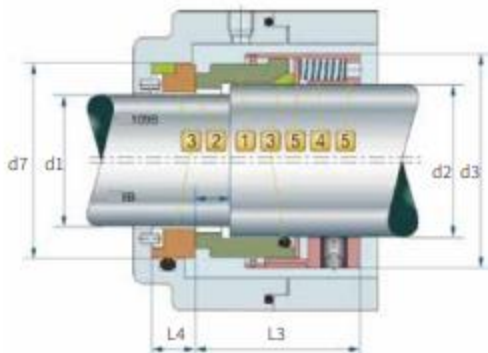
Rotary ring: Carbon / SIC

Stationary ring: SIC/SUS.

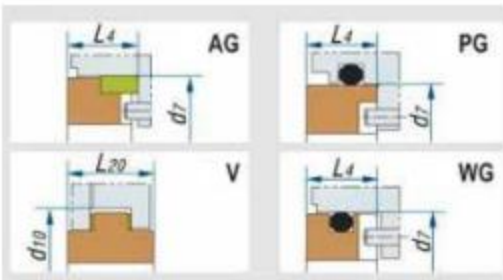
Bellows: EPDM / VITON / PTFE

Spring: SSS304 / SS316.

Metal parts: SS304 / SS316.



Type of counter ring



Single mechanical seal AAS-109B/8B-1

Used in pumps: Lowara, Ebara (3M), EMU, Flugt, Fristam, GEA Tuchenhagen, Goetze, etc.

Analogue: John Crane type 109B, Vulcan 1609B, John Crane type 8B-1, Vlcán 1609 BS.

AAS-109B/8B-1

	d1 (H6)	d2 (Max)	d3 (h8)	d7	L3 (±0.5)	L65 (h8)	L4
1.000	22.2	25.40	40.3	41.28	33	6.4	11.1
1.125	25.4	28.58	43.15	44.45	35	7.9	11.1
1.250	28.6	31.75	48.3	47.63	35	7.9	11.1
1.375	28.6	34.93	51.5	50.80	37	8.7	11.1
1.500	31.8	38.10	54.6	53.98	37	8.7	11.1
1.625	34.9	41.28	61.0	60.33	45	8.7	12.7
1.750	38.1	44.45	64.0	63.50	45	9.5	12.7
1.875	41.3	47.63	67.3	66.68	45	9.5	12.7
2.000	44.5	50.80	70.5	69.85	45	9.5	12.7
2.125	47.6	53.98	76.9	76.20	52	11.1	14.3
2.250	50.8	57.15	80.0	79.38	52	11.1	14.3
2.375	54.0	60.33	83.2	82.55	52	11.1	14.3
2.500	57.2	63.50	86.4	85.73	52	11.1	14.3
2.625	60.3	66.68	89.6	85.73	52	11.1	15.9
2.750	63.5	69.85	92.7	88.90	52	11.1	15.9
2.875	66.7	73.03	95.9	95.25	52	11.1	15.9
3.000	69.9	76.02	97.5	98.43	52	11.1	15.9
3.125	73.0	79.38	100.7	101.60	52	11.1	19.8
3.250	76.2	82.55	105.4	104.78	52	14.3	19.8
3.375	79.4	85.73	108.6	107.95	52	14.3	19.8
3.500	82.6	88.90	111.8	111.13	52	14.3	19.8
3.625	85.7	92.08	115.0	114.30	52	14.3	19.8
3.750	88.9	95.25	118.1	117.48	52	14.3	19.8
3.875	92.1	98.43	121.3	120.65	52	14.3	19.8
4.000	95.3	101.60	124.5	123.83	52	14.3	19.8



Mechanical seal **AAS-10T/10R**

Temperature: -20°C~120°C

Pressure: ≤0.8 mpa

Speed: ≤13m/sec

Materials

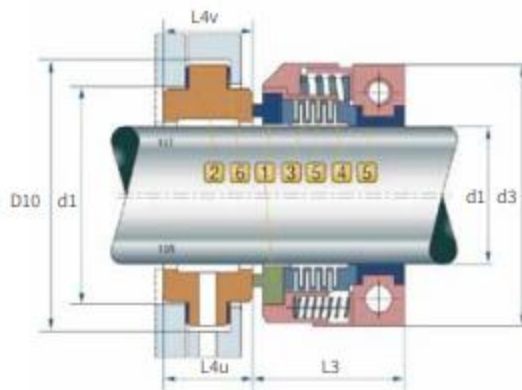
Rotary ring: Carbon / SIC

Stationary ring: SIC / TC / Ceramic/ SUS.

Bellows: PTFE.

Spring: SSS304 / SS316.

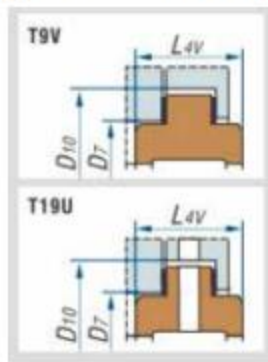
Metal parts: SS304 / SS316.



AAS-10T/10R (Inch)

	d1 (H6)	d3 (Max)	d7 (h8)	D10	L3 (±0.5)	L4v	L4u (h8)
0.750	19,05	54	36,51	48	31	17,6	28,65
0.875	22,23	57	39,69	51	31	17,6	28,65
1.000	25,40	61	42,86	54	33	17,6	28,65
1.125	28,58	67	50,8	65	36	27,0	38,25
1.250	31,75	70	53,98	68	37	27,0	38,25
1.375	34,93	73	57,15	71	38	27,0	38,25
1.500	38,10	76	63,5	78	38	27,0	38,25
1.625	41,28	80	66,68	81	40	27,0	38,25
1.750	44,45	83	69,85	84	40	27,0	38,25
1.875	47,63	86	73,03	87	43	27,0	38,25
2.000	50,80	89	79,38	97	43	33,30	47,58
2.125	53,98	103	82,55	100	53	33,30	47,58
2.250	57,15	107	85,73	103	53	33,30	47,58
2.375	60,33	110	88,9	106	53	33,30	47,58
2.500	63,50	113	92,08	110	53	33,30	47,58
2.625	66,68	116	95,25	113	53	33,30	47,58
2.750	69,85	118	98,43	116	53	33,30	47,58
2.875	73,03	122	100,01	117	53	33,30	47,58
3.000	76,20	126	103,19	121	53	33,30	47,58
3.250	82,55	150	114,3	132	73	33,30	47,58
3.500	88,90	156	120,65	138	73	33,30	47,58
3.750	95,25	163	127	144	73	33,30	47,58
4.000	101,6	169	133,35	151	73	33,30	47,58

Type of counter ring



Single mechanical seal AAS-10T/AAS-10R

Used in pumps: Lowara, Ebara (3M), EMU, Flugt, Fristam, GEA Tuchenhagen, Goetz, etc.

Analogue: John Crane 10T / 10R. Anga A10 / 11,R-162 (T/R), R-WB2 (T/R)

PTFE seals are designed for use in extremely aggressive environments: strong acids, organic compounds, salt solutions, and chemically active compounds.

-The mechanical seal design prevents slipping on the shaft and premature wear.

-Flexible PTFE bellows design. Maximum corrosion resistance. Eliminates the possibility of misalignment of the bellows.



Mechanical seal **AAS-152**

Temperature: -20°C~120°C

Pressure: ≤ 0.5 mpa

Speed: ≤ 3000 rpm

Materials

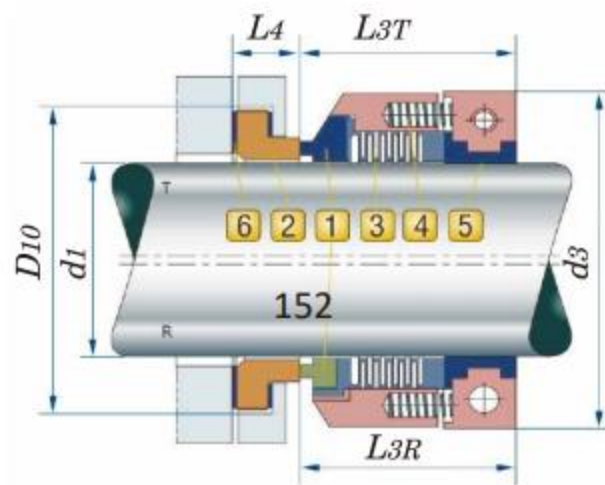
Rotary ring: Ceramic / SiC / PTFE.

Stationary ring: Carbon / SiC / AL.

Bellows: PTFE.

Spring: SSS304 / SS316.

Metal parts: SS304 / SS316.



AAS-152(T/R)

d1 (H6)	d3 (Max)	D10 (h8)	L3T	L3R (± 0.5)	L4 (h8)
25	60	48	42	45	13
30	67	53	42	45	13
35	72	58	42	45	13
40	78	63	42	45	13
45	84	68	44	46	16
50	88	73	46	46	16
55	95	78	46	46	16
60	100	83	46	46	17
65	105	88	46	46	17

Mechanical seal **AAS-WB2**

Temperature: -20°C~120°C

Pressure: ≤ 0.5 mpa

Speed: ≤ 3000 rpm

Materials

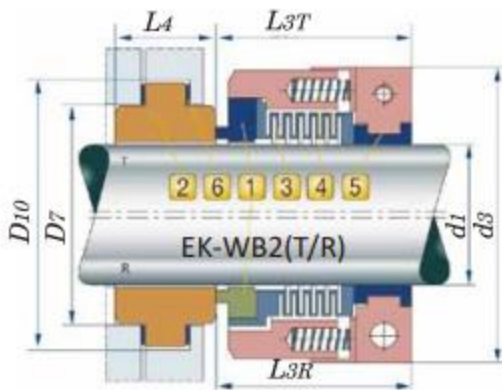
Rotary ring: Ceramic / SIC / PTFE.

Stationary ring: Carbon / SIC / AL.

Bellows: PTFE.

Spring: SSS304 / SS316.

Metal parts: SS304 / SS316.



Single mechanical seal AAS-152/WB2

Used in pumps: Lowara, Ebara (3M), EMU, Flugt, Fristam, GEA Tuchenhagen, Goetze, etc.

Analogue: John Crane 10T / 10R. Anga A10 / 11, R-162 (T/R), R-WB2 (T/R)

AAS-WB2(T/R)

d1 (H6)	d3 (Max)	D10 (h8)	d7	L3T (±0.5)	L3R (h8)	L4
25	60	60	47	42	45	27
30	67	67	53	42	45	27
35	72	70	57	42	45	27
40	78	76	62	42	45	27
45	84	82	67	44	46	27
50	88	86	72	46	46	27
55	95	90	77	46	46	27
60	100	95	82	46	46	27
65	105	100	87	46	46	27



Mechanical seal **AAS-LPS**

Temperature: -20°C~150°C

Pressure: ≤ 0.6 mpa

Speed: ≤ 10 m / sec

Materials

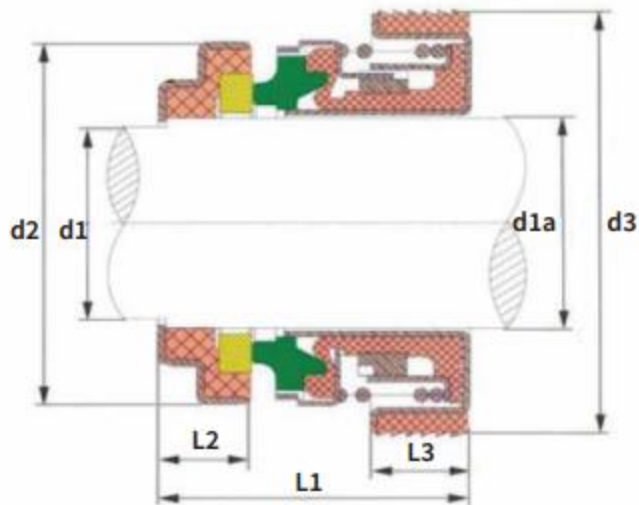
Rotary ring: SIC / TC.

Stationary ring: Carbon / SIC / TC.

Bellows: NBR / EPDM / VITON.

Spring: SSS304 / SS316.

Metal parts: SS304 / SS316.



AAS-LPS

d1	d1a (H6)	d2	d3 (h8)	L1 (±0.5)	L2	L3 (h8)
15	12	34	41	29,5	10	10



Mechanical seal **AAS-XB**

Temperature: -20°C~120°C

Pressure: ≤ 0.4 mpa

Speed: ≤ 3000 rpm

Materials

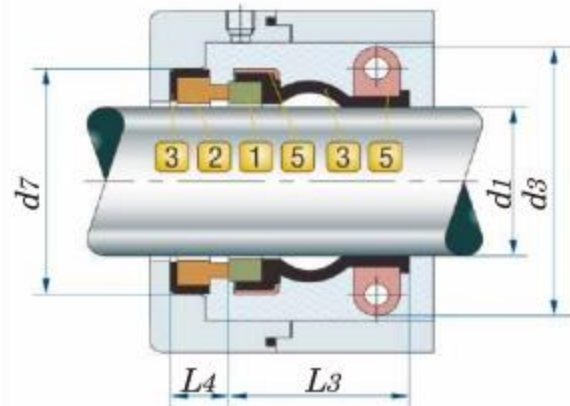
Rotary ring: Ceramic / SiC .

Stationary ring: Carbon / SiC

Bellows: NBR / VITON.

Spring: SSS304 / SS316.

Metal parts: SS304 / SS316.



AAS-XB

d1 (H6)	d3 (Max)	d7 (h8)	L3 (± 0.5)	L4
25	50.0	41.0	30.0	12.0
30	56.5	47.5	30.0	12.0
35	63.5	53.0	32.2	12.5



Mechanical seal **AAS-6SB/SB**

Temperature: -20°C~100°C

Pressure: ≤ 0.3 mpa

Speed: ≤ 3000 rpm

Materials

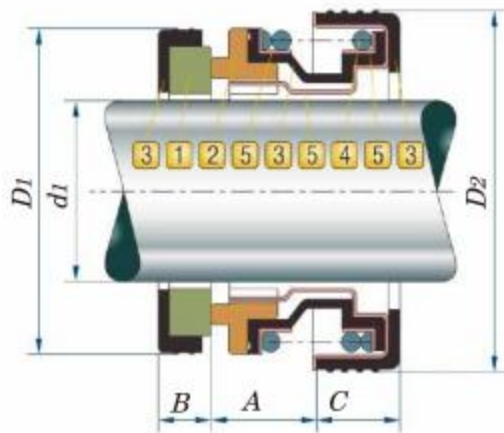
Rotary ring: Ceramic / SIC .

Stationary ring: Carbon / SIC

Bellows: NBR

Spring: SSS304 / SS316.

Metal parts: SS304 / SS316.



AAS-6SB	d1 (H6)	D1 (Max)	D2 (h8)	A (±0.5)	B	C (h8)
	12	25	32	5.2	5	9.0
	16	31	41	6.8	5	10.0
	20	35	45	6.0	5	11.5
	25	44	52	8.5	7	11.5
	30	48	58	8.8	8	12.5
AAS-SB	d1 (H6)	D1 (Max)	D2 (h8)	A (±0.5)	B	C (h8)
	12	25	30	6.0	5	8.5
	17	31	35	9.0	7	9.5
	20	36	40	12.0	7	9.5
	25	42	50	10.5	8	13.5
	28	45	54	10.0	8	11.5
	30	48	54	10.0	8	11.5



Mechanical seal **AAS-6CK-16**

Temperature: -20°C ~ 100°C

Pressure: ≤ 0.3 mpa

Speed: ≤ 5000 rpm

Materials

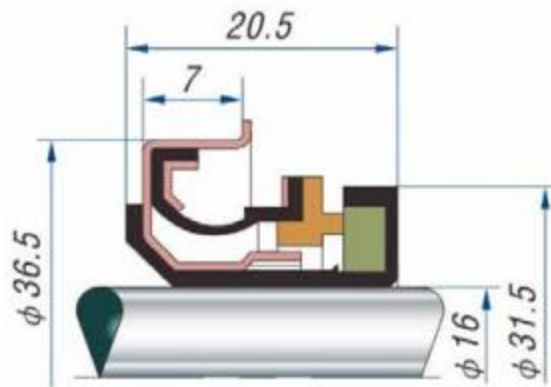
Rotary ring: Ceramic / SIC .

Stationary ring: Carbon / SIC

Bellows: NBR

Spring: SSS304 / SS316.

Metal parts: SS304 / SS316.



Mechanical seal AAS-6CK-16

Is applicable to pumps for pumping water, oil and middle corrosive environments, etc.

Analogue: Burgmann, John Crane, Roten, AESSEAL, Anga, Vulcan, Lidering, DIMER, Flowserve.



Mechanical seal **AAS-6A**

Temperature: -20°C~100°C

Pressure: ≤ 0.3 mpa

Speed: ≤ 5000 rpm

Materials

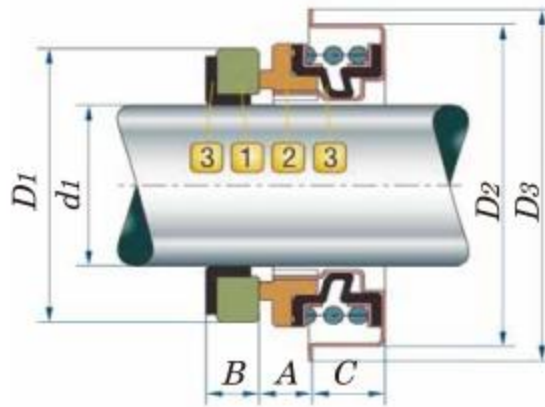
Rotary ring: Ceramic / SIC .

Stationary ring: Carbon / SIC

Bellows: NBR/HNBR.

Spring: SSS304 / SS316.

Metal parts: SS304 / SS316.



AAS-6A	d1 (H6)	D1 (Max)	D2 (h8)	D3 (± 0.5)	A	B	C
0.500	12,70	23,47	28,58	34,9	5,2	5,41	8,74
0.625	15,88	28,58	36,50	41,3	6,7	5,41	8,59
0.750	19,05	30,15	40,00	43,6	6,0	5,54	9,53

AAS-6A	d1 (H6)	D1 (Max)	D2 (h8)	D3 (± 0.5)	A	B	C
12	24	30,0	35,0	5,2	5,0	8,0	
15	29,5	36,5	41,3	6,7	5,0	8,0	
16	29,5	36,5	41,3	6,7	5,0	8,0	
20	34,0	40,0	43,6	6,0	5,0	9,5	



Mechanical seal **AAS-6-CH-16**

Temperature: -20°C ~ 100°C

Pressure: ≤ 0.3 mpa

Speed: ≤ 5000 rpm

Materials

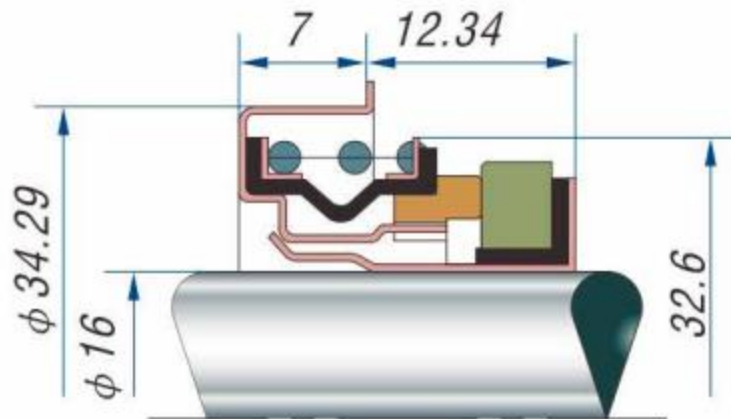
Rotary ring: Ceramic / SIC .

Stationary ring: Carbon / SIC

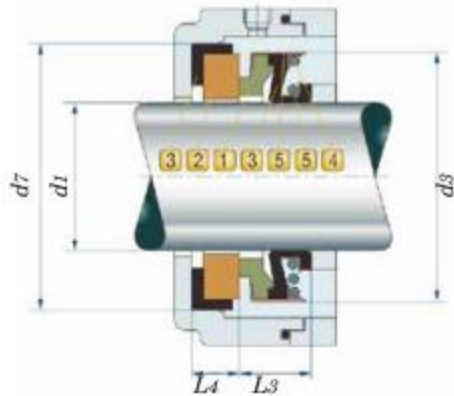
Bellows: NBR/HNBR.

Spring: SSS304 / SS316.

Metal parts: SS304 / SS316.



Is applicable to pumps for pumping water, oil and middle corrosive environments, and so on.



Mechanical seal AAS-BT-AR

Temperature: -20°C~150°C

Pressure: ≤0.4 mpa

Speed: ≤10 m/sec

Materials

Rotary ring: Carbon / SIC .

Stationary ring: Ceramic / SIC / TC.

Bellows: NBR / EPDM / VITON.

Spring: SSS304 / SS316.

Metal parts: SS304 / SS316.

	d1 (H6)	d3 (Max)	d7 (h8)	L3 (±0.5)	L4
BT-AR-6	6	18.0	18.0	10.0	4.0
BT-AR-8S	8	18.0	22.0	11.0	4.0
BT-AR-8M	8	20.0	21.0	13.0	6.0
BT-AR-8L	8	24.0	26.0	11.0	8.0
BT-AR-10	10	24.0	26.0	11.0	8.0
BT-AR-11	11	24.0	26.0	13.0	8.0
BT-AR-12	12	24.0	26.0	13.0	8.0
BT-AR-13	13	24.0	26.0	13.0	5,5
BT-AR-13H	13	24.0	26.0	13.0	8.0
BT-AR-14S	14	26.0	28.0/28.5	13.0	8.0
BT-AR-14M	14	28.0	28.0/28.5	13.0	8.0
BT-AR-14L	14	32.0	29.5/38.0	13.0	8.0
BT-AR-15S	15	28.0	30.0	13.0	8.0
BT-AR-15M	15	32.0	29.5	13.0	8.0
BT-AR-15L	15	39.0	38.0	13.0	8.0
BT-AR-16S	16	28.0	30.0	13.0	8.0
BT-AR-16M	16	32.0	29.5	13.0	8.0
BT-AR-16L	16	39.0	42.0	13.0	8.0
BT-AR-17	17	39.0	42.0	13.0	8.0
RT-AR-18	18	39.0	42.0	13.0	8.0
BT-AR-19	19	39.0	42.0	13.0	8.0
BT-AR-20S	20	35.0	38.0	13.0	8.0
BT-AR-20M	20	39.0	42.0	13.0	8.0
BT-AR-20L	20	42.0	45.0	13.0	10.0
BT-AR-22S	22	39.0	42.0	13.0	8.0
BT-AR-22	22	42.0	45.0	13.0	10.0
BT-AR-23	23	47.0	50.0	13,5	10.0
BT-AR-24	24	47.0	50.0	13,5	10.0
BT-AR-25	25	47.0	50.0	13,5	10.0
BT-AR-25S	25	41,5	45/50	13,5	10.0
BT-AR-26	26	47.0	50.0	13,5	10.0
BT-AR-27	27	47.0	50.0	13,5	10.0
BT-AR-28	28	54.0	57.0	15.0	10.0
BT-AR-30	30	54.0	57.0	15.0	10.0
BT-AR-32	32	54.0	57.0	15.0	10.0
BT-AR-35	35	60.0	63.0	16.0	10.0
BT-AR-38	38	65.0	68.0	18.0	12.0
BT-AR-40	40	65.0	68.0	18.0	12.0
BT-AR-45	45	70.0	73.0	20.0	12.0
BT-AR-50	50	85.0	88.0	23.0	15.0
BT-AR-55	55	85.0	88.0	23.0	15.0
BT-AR-60	60	105.0	110.0	30.0	15.0
BT-AR-65	65	105.0	110.0	30.0	15.0
BT-AR-70	70	105.0	110.0	32.0	15.0

Mechanical seal AAS-BT-AR

Used in pumps: AL-KO, Calpeda (MXP, MGP, NGL), Kripsol, Pedrolo (JCR, PRO-NGA 1A), Grundfos JP Basic 4 PT and in another pumps.

Analog of mechanical seals: Burgmann BT-AR, AESSEAL B01, Vulcan 18, Anga C10.



Mechanical seal **AAS-6B**

Temperature: -20°C~100°C

Pressure: ≤0.3 mpa

Speed: ≤5000 rpm

Materials

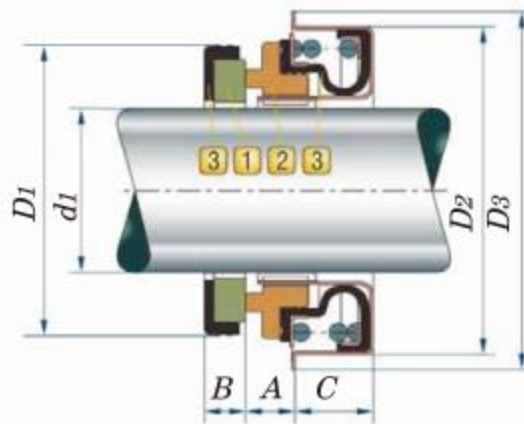
Rotary ring: Ceramic/SiC.

Stationary ring: Ceramic/SiC.

Bellows: NBR/HNBR.

Spring: SSS304 / SS316.

Metal parts: SS304 / SS316.



AAS-6B (Inch)

d1 (H6)	D1 (Max)	D2 (h8)	D3	A	B (±0.5)	C
9,53	22,23	28,58	31,8	4,1	7,92	7,92
12,70	25,40	28,58	34,9	5,2	7,92	8,74
15,88	31,75	36,50	41,3	6,7	10,31	8,59
19,05	34,93	40,00	43,8	6,0	10,31	9,53

AAS-6B (Ci)

d1 (H6)	D1 (Max)	D2 (h8)	D3	A	B (±0.5)	C
10	23	24.00	29.0	4,1	4	8.0
12	25	28,58	32.0	5,2	5	8.0
12M	24	30.00	35.0	5,2	5	8.0
16	31	36,50	41,5	6,7	5	8.0
20	35	40.00	43,8	6.0	5	9,5
25	44	47.00	51.0	8.0	7	10.0
30	48	52.00	57.0	8.0	8	11.0



Mechanical seal **AAS-6C**

Temperature: -20°C-100°C

Pressure: ≤0.3 mpa

Speed: ≤5000 rpm

Materials

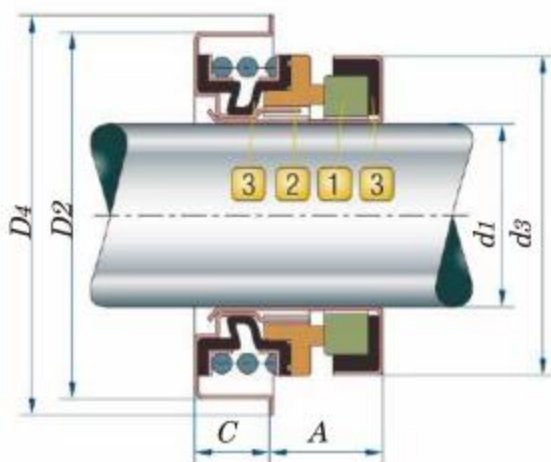
Rotary ring: Ceramic/SiC.

Stationary ring: Carbon/SiC.

Bellows: NBR/HNBR.

Spring: SSS304 / SS316.

Metal parts: SS304 / SS316.



AAS-6C	d1 (H6)	d3 (Max)	D2 (h8)	D4 (±0.5)	A	C (h8)
6C-12	12	25	30,0	35,0	9,7	8,0
6C-12S	12	25	28,58	32,0	9,7	8,0
6C-12L	12	25	33,4	38,0	8,4	6,7
6C-13	13	25	30,0	35,0	9,7	8,0
6C-15	15	30	36,5	41,5	11,5	8,5
6C-16	16	30	36,5	41,5	11,5	8,5
6C-16L	16	30	38,1	41,5	11,5	8,5
6C-20S	20	37	38,0	43,7	12,5	9,5
6C-20	20	37	40,0	43,7	12,5	9,5



Mechanical seal **AAS-6BG**

Temperature: -20°C~100°C

Pressure: ≤ 0.3 mpa

Speed: ≤ 5000 rpm

Materials

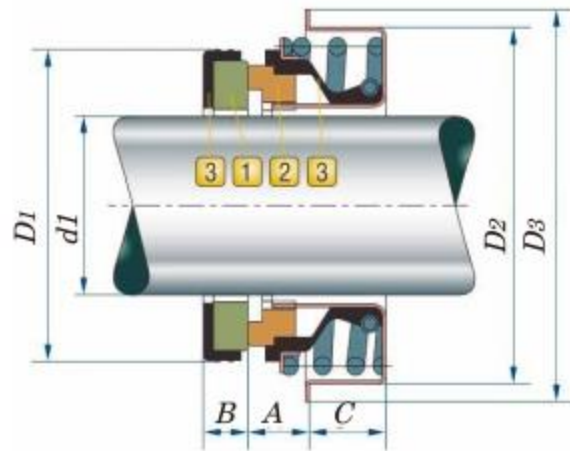
Rotary ring: Ceramic/SiC.

Stationary ring: Carbon/SiC.

Bellows: NBR/HNBR.

Spring: SSS304 / SS316.

Metal parts: SS304 / SS316.



AAS-6BG

d1 (H6)	D1 (Max)	D2 (h8)	D3 (±0.5)	A	B (h8)	C
16	29,5	36,5	42	7,8	5	10,0
20	35,0	40,0	44	6,9	5	8,6
25	44,0	47,2	53	11,7	7	10,8



Mechanical seal **AAS-JY1**

Temperature: -20°C~150°C

Pressure: ≤ 2.0 mpa

Speed: ≤ 15 m/ sec

Materials

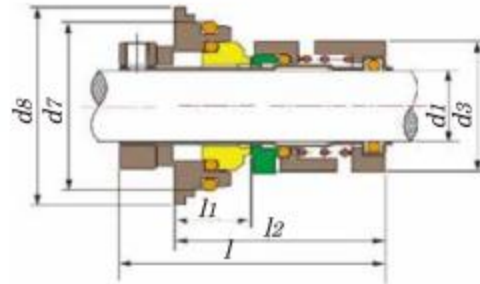
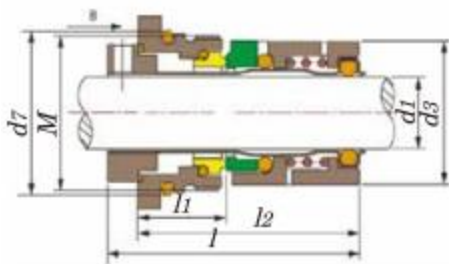
Rotary ring: Carbon / SIC / TC.

Stationary ring: Carbon / SIC / TC.

Bellows: NBR / EPDM / VITON.

Spring: SSS304 / SS316.

Metal parts: SS304 / SS316.



d1	d3	d7	d8	M	L	L1	L2	d8
	(H6)	(Max)	(h8)	(± 0.5)		(h8)		
12	25,00	29,00	\	M28X1.5	55,00	19,00	49,00	35,80
16	30,50	34,00	\	M35X1.5	57,50	20,00	50,50	40,80
22	39,50	50,00	59,00	\	71,00	20,00	57,00	\



Mechanical seal **AAS-JY1-C**

Temperature: -20°C~150°C

Pressure: ≤ 2.0 mpa

Speed: ≤ 15 m/ sec

Materials

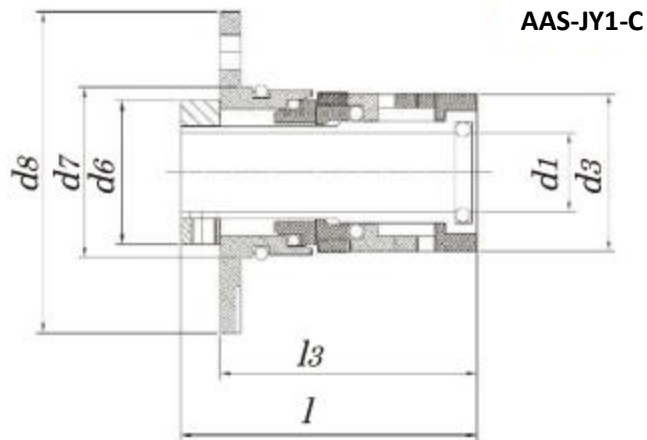
Rotary ring: Carbon / SIC / TC.

Stationary ring: Carbon / SIC / TC.

Bellows: NBR / EPDM / VITON.

Spring: SSS304 / SS316.

Metal parts: SS304 / SS316.



AAS-JY1-C

d1	d3	d6	d7	d8	L3	L
12	25	25	31	58	31	57
16	32	29	34,5	65	52	57,5
22	39,5	39	49,7	90	38	70

Mechanical seal AAS-JY5

Temperature: -20°C~150°C

Pressure: ≤ 1.5 mpa

Speed: ≤ 15 m/ sec



Materials

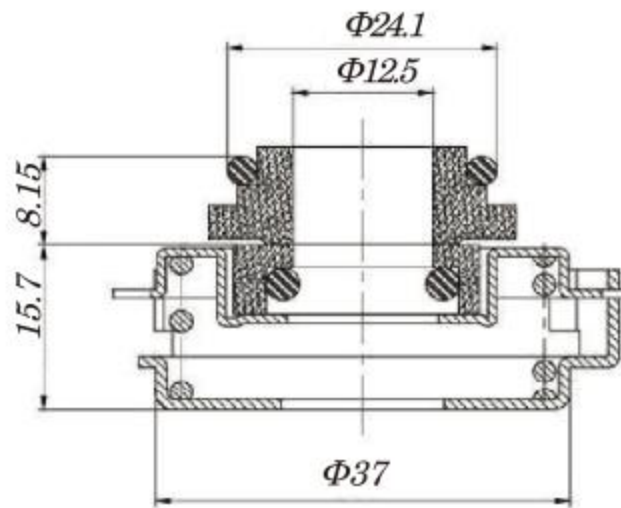
Rotary ring: Ceramic / SIC / TC.

Stationary ring: Carbon / SIC / TC.

Bellows: NBR / EPDM / VITON.

Spring: SSS304 / SS316.

Metal parts: SS304 / SS316.



Used in Grundfos pumps: CM, CME, CMV
1/3/5/10/15/25 - AQQE/V - 96932392

Mechanical seals for Grundfos pumps are used in these types of Grundfos pumps: JP, Ch8, Ch12, CRK (|) 2, CRK (|) 4 series. SPK1, SPK2, SPK4, SPK8 series. Cr2, Cr4 series.

Part number of Grundfos: 96932392 / 96932350. CM 1/3/5 - AQQE/V-96932392

The CM pump is a compact horizontal pump multistage centrifugal pump with: 1-phase, 220-240 V, 50 Hz, foot-mounted electric motor. Pump with an axial suction channel and a radial outlet channel, including a special design shaft seal in AQQE de-sign. The shaft, impellers, chambers and plugs of the filling holes are made of stainless steel. The suction and discharge pipes are made of Stainless steel.



Mechanical seal **AAS-JY4**

Temperature: -40°C~180°C

Pressure: ≤ 1.7 mpa

Speed: ≤ 15 m/ sec

Materials

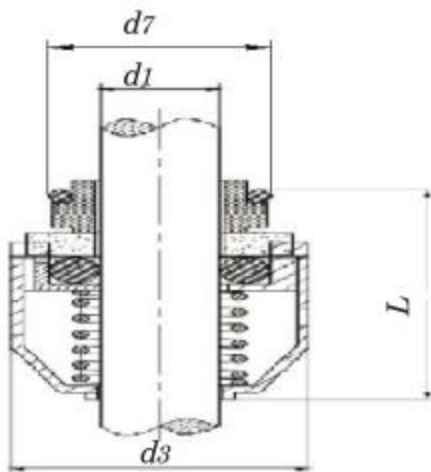
Rotary ring: Carbon / SIC / TC.

Stationary ring: Carbon / SIC / TC.

Bellows: EPDM / VITON.

Spring: SSS304 / SS316.

Metal parts: SS304 / SS316.



AAS-JY4	d1 (H6)	d3 (Max)	d7 (h8)	L (±0.5)
AAS-JY4-12	12	29	23	40
AAS-JY4-16	16	34	27	38,6

Mechanical seal of AAS-JY4 type is de-signed for the Grundfos pump.

AAS-JY4-12mm: Item Number of Grundfos

985167/405145/405009/96513598

AAS-JY4-16 mm. Item Number of Grundfos:

985204/339701/96521638.

Grundfos pump repair kits, such as shaft seal kit 985167, 985737,985164, 415080, 69632394.

1.Kit, shaft seal RUUE/V, 985737, suitable for CH, CHV 2, 4, EAN code: 5700392254122

2.Kit, AUUE/V shaft seal, 985167, suitable for CR(N)2/4, EAN code: 5700392251343

3.Kit, shaft seal CVBE/V, 985164, suitable for CHV/CH2/4, EAN code: 5700392251305

4.Kit, shaft seal AUUV, 415080, suitable for CRK2/4, EAN code: 5700392118219



Mechanical seal **AAS-JY1-T**

Temperature: -20°C-150°C

Pressure: ≤ 1.5 mpa

Speed: ≤ 15 m/ sec

Materials

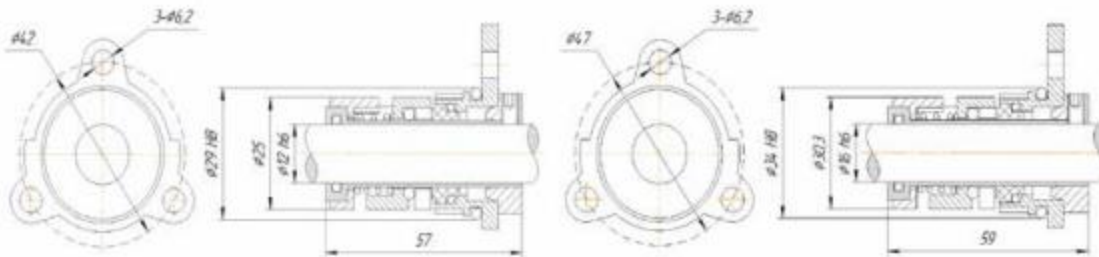
Rotary ring: Carbon / SIC / TC.

Stationary ring: Carbon / SIC / TC.

Bellows: NBR / EPDM / VITON.

Spring: SSS304 / SS316.

Metal parts: SS304 / SS316.



Mechanical seal of AAS-JY1-T type is de-signed for the Grundfos pump.

AAS-JY1-T-12mm: Item Number of Grundfos

985167/405145/405009/96513598.

AAS-JY1-T-16mm. Item Number of Grundfos:

985204/339701/96521638.

Grundfos pump repair kits, such as shaft seal kit 985167, 985737, 985164, 415080, 69632394.

1.Kit, shaft seal RUUE/V, 985737, suitable for CH, CHV 2, 4, EAN code: 5700392254122

2.Kit, AUUE/V shaft seal, 985167, suitable for CR(N)2/4, EAN code: 5700392251343

3.Kit, shaft seal CVBE/V, 985164, suitable for CHV/CH2/4, EAN code: 5700392251305

4.Kit, shaft seal AUUV, 415080, suitable for CRK2/4, EAN code: 5700392118219

Mechanical seal **AAS-JY3**

Temperature: -20°C~150°C

Pressure: ≤2.0mpa

Speed: ≤15 m/ sec



Materials

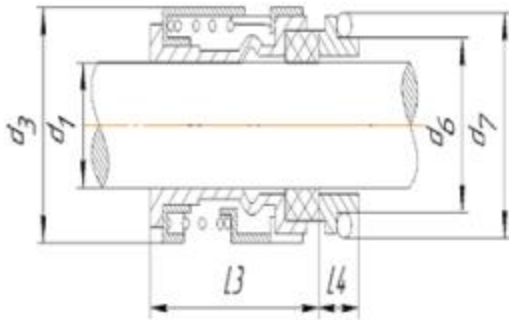
Rotary ring: Carbon / SIC

Stationary ring: Carbon / SIC / TC.

Bellows: NBR / EPDM / VITON.

Spring: SSS304 / SS316.

Metal parts: SS304 / SS316.



AAS-706B	d1 (H6)	d3 (Max)	d6 (h8)	d7 (±0.5)	L3	L4 (h8)
AAS-JY3	12	22	19	23	24	8.5
AAS-JY3 long	12	22	19	23	39	8.5
AAS-JY3	16	26	23	27	25	9
AAS-JY3 long	16	26	23	27	30	9

It is used in these types of Grundfos pumps: CH, CHI, CHE, CRK, SPK, TP, AP series. CR, CRN, NK, TP series. LM (D) / LP (D), NM / NP, DNM / DNP series.

The AAS-JY3 mechanical seal is used in Grundfos pumps:CH/CHI/CHE/CRK/SPK/TP

APCR/CRN/NK pumps series

TP/LM(D)/LP(D)/NM/NP/DNM/DNP

pumps series.

Standard shaft size: 12mm, 16mm, 22mm

AAS-JY3-12mm

Item number of Grundfos: 96409293/96409263 00405096/00405097.

AAS-JY3-16mm: Item number of Grundfos: 96409265/00485351/00425062/00425063/00425063. The

Grundfos pumps of TP, TD series are Designed

specially for pumping working fluids in circulation systems with a constant flow rate. For variable flow systems, are usually used models with TPE and TPED frequencyconverters. The standard sizes of thesepumps are available in single TP and double TPDversions.



Mechanical seal **AAS-204B**

Temperature: -20°C~200°C

Pressure: ≤0.6mpa

Speed: ≤500 rpm

Materials

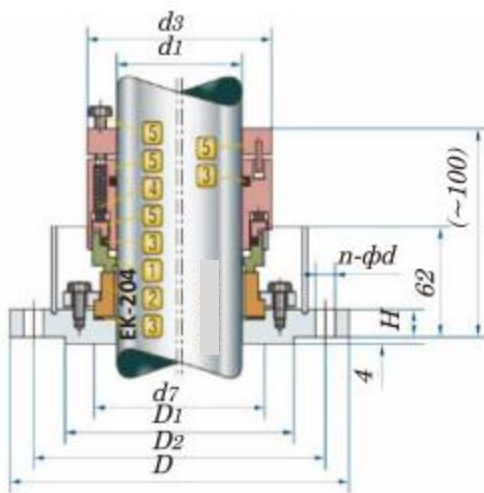
Rotary ring: SIC/TC/Carbon.

Stationary ring: Carbon/TC.

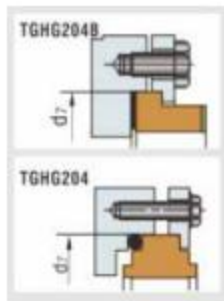
Bellows: EPDM/VITON.

Spring: SSS304 / SS316.

Metal parts: SS304 / SS316.



Type of counter ring



AAS-204B

d1 (H6)	d3 (Max)	d7 (h8)	D1 (±0.5)	D2	D (h8)	H	n-4
30	67	50	116	150	185	20	4-18
40	77	64	135	170	205	20	4-18
50	87	74	164	200	235	20	8-18
60	98	85	164	200	235	20	8-18
65	103	91	164	200	235	20	8-18
80	118	110	188	225	260	20	12-18
95	128	119	220	255	290	20	12-18
100	138	132	245	280	315	20	12-18
110	148	140	245	280	315	20	12-18
120	158	158	245	280	315	26	12-18
130	168	168	245	280	315	26	12-18
140	178	180	245	280	315	26	12-18
150	188	190	285	320	360	29	12-18

AAS-204

d1 (H6)	d3 (Max)	d7 (h8)	D1 (±0.5)	D2	D (h8)	H	n-4
30	66,00	60,00	116,00	150,00	185,00	20,00	4-18
40	76,00	70,00	135,00	170,00	225,00	20,00	4-18
50	88,00	80,00	164,00	200,00	235,00	20,00	8-18
65	103,00	97,00	164,00	200,00	235,00	22,00	8-18
80	118,00	112,00	188,00	225,00	260,00	22,00	12-18
95	135,00	127,00	220,00	255,00	290,00	24,00	12-18
110	150,00	142,00	245,00	280,00	315,00	24,00	12-18

Single end seal AAS-204B

Applicable to Alfa Laval, APV, Calpeda, Inoxpa, KSB, Lowara, Grundfos, Hilge, Ebara pumps series

Analogue: Burgmann, John Crane, Roten, AESSEAL, Anga, Vulcan, Lidering, DIMER



Mechanical seal **AAS-212**

Temperature: -20°C~120°C

Pressure: ≤0.5 mpa

Speed: ≤5000 rpm

Materials

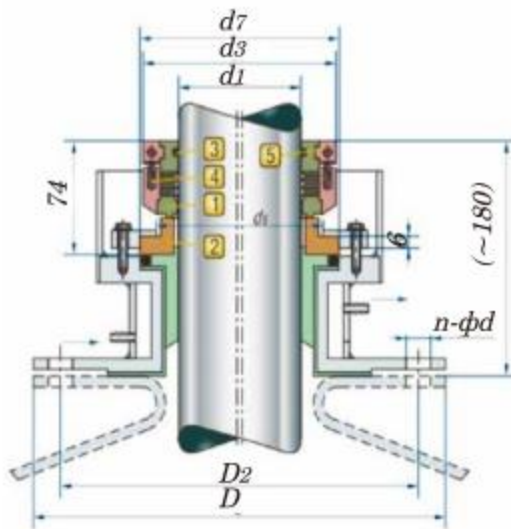
Rotary ring: Glass Filled PTFE.

Stationary ring: Aluminium Oxide/SiC

Bellows: PTFE

Spring: SSS304 / SS316.

Metal parts: SS304 / SS316.



Single mechanical seal AAS-212

Used in highly concentrated mediums such as acids, alkalis, oil abrasives for reactors and mixers. Fits for chemical, oil processing and pharmaceutical industry.

Is applicable to the Alfa pumps series:

Laval, APV, Calpeda, Inoxpa, KSB, Lowara, Grundfos, Hilge, Ebara

Analogue: Burgmann, John Crane, Roten, AESSEAL, Anga, Vulcan, Lidering, DIMER.

AAS-212-A

d1	d3	d6	d7	D2	D	n-4
40	87	72	87	130	160	4-18
50	98	80	100	150	190	4-18
60	110	90	105	170	210	4-18
65	115	95	115	170	210	8-18
70	120	100	115	200	240	8-18
75	130	110	130	200	240	8-18
80	130	110	130	200	240	8-18
90	140	120	140	225	265	12-18
95	145	125	150	225	265	12-18
100	150	130	150	250	280	12-18
110	162	140	165	280	320	12-18
120	172	150	175	280	320	12-18
130	182	162	177	335	375	12-18
140	192	170	195	335	375	12-18
150	202	180	205	335	375	12-18

AAS-212-B

d1	d3	d6	d7	D2	D	n-φ
40	90	72	88	130	160	4-18
50	100	80	101	150	185	4-18
65	115	95	116	170	205	4-18
80	130	110	131	200	235	8-18
95	150	125	151	200	235	8-18
102	150	130	156	255	290	8-18

AAS-212-C

d1	d3	d6	d7	D2	D	n-φ
42	90	72	80	140	170	6-15
50	100	80	101	170	200	8-15
60	110	90	110	190	220	10-15
70	120	100	121	250	280	16-15
76	130	110	131	250	280	16-15
80	130	110	131	250	280	16-15
89	140	120	141	250	280	16-15
95	150	125	151	300	330	20-15



Mechanical seal **AAS-WE**

Temperature: -20°C~200°C

Pressure: ≤ 1.5 mpa

Speed: ≤ 20 m/sec

Materials

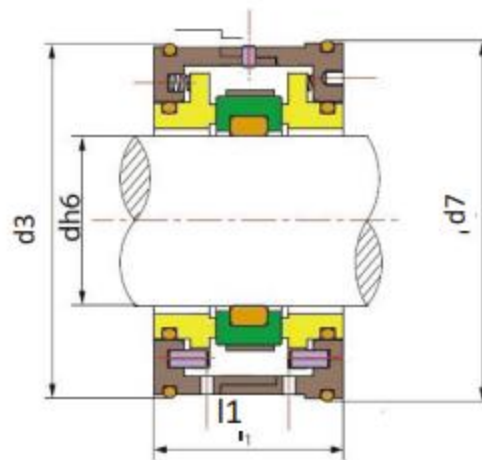
Rotary ring: SIC / TC.

Stationary ring: SIC .

Bellows: NBR / VITON / EPDM.

Spring: SSS304 / SS316.

Metal parts: SS304 / SS316.



AAS-WE

dh6	d3	d7	L1
(H6)	(Max)	(h8)	(±0.5)
30	62	65	46
35	67	70	46
40	72	75	46
50	90	92	52
60	92	99	46
75	128	130	75



Mechanical seal **AAS-LWR-22**

Temperature: -20°C – 140°C

Pressure: ≤ 1.4 mpa

Speed: ≤ 15 m/sec

Materials

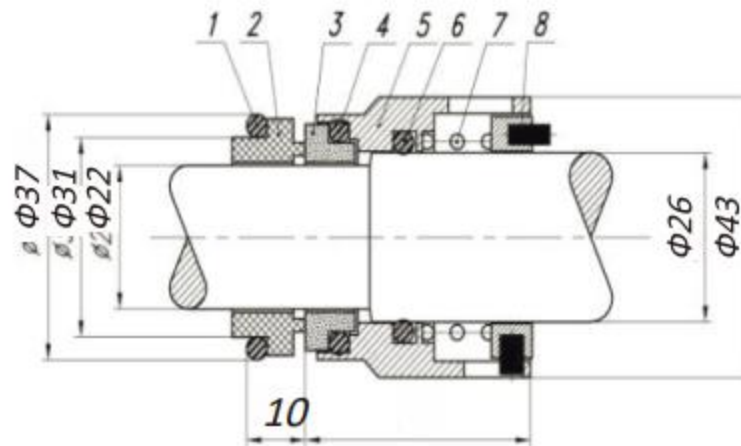
Rotary ring: Ceramic / SIC / TC.

Stationary ring: Carbon / SIC / TC.

Bellows: NBR / EPDM / VITON.

Spring: SSS304 / SS316.

Metal parts: SS304 / SS316.



Single mechanical face seal AAS-LWR

Application in pumps Lowara SVI 33, 46, 66, 92

Analogue: AESSEAL T07 / T07D / T07X, Burgmann M2N, Roten UNITEN 22, Hecker HN 400A.



Mechanical seal **AAS-HRN**

Temperature: -20°C~140°C

Pressure: ≤1.4 mpa

Speed: ≤15 m/sec

Materials

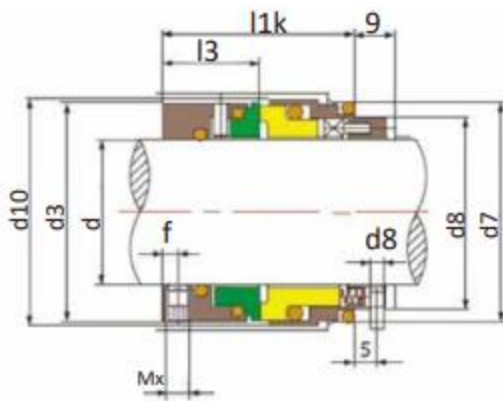
Rotary ring: Ceramic / SIC / TC.

Stationary ring: Carbon / SIC / TC.

Bellows: NBR / EPDM / VITON.

Spring: SSS304 / SS316.

Metal parts: SS304 / SS316.



Single mechanical end seal AAS-HRN
-seal with a non-rotating movable ring.

It is suitable for contaminated media with abrasive particles and waste water. Can be used as part of a tandem. The non-rotating multi-spring unit is isolated from the product, which prevents sticking and clogging.

Applicable to Alfa Laval, Ebara Lowara, KSB (Etanorm, Etachrom), WILO (MVI, MHI, IPL), Grundfos (CDM), Saer (IP), Calpeda (GM, MXS), Hecker HN 410SU pumps

Analogs: Burgmann HRN, Roten EHS3 seal

d	d3	d6	d7	d8	d10	I1k	I3	f	Mx
18	33	27	33	3	34,7	37,5	19,5	3	4
20	35	29	35	3	36,7	37,5	19,5	3	4
22	37	31	37	3	38,7	37,5	19,5	3	4
24	39	33	39	3	40,7	40	20,5	3,5	5
25	40	34	40	3	41,7	40	20,5	3,5	5
28	43	37	43	3	44,7	42,5	21,5	3,5	5
30	45	39	45	3	46,7	42,5	21,5	3,5	5
32	48	42	48	3	49,7	42,5	21,5	3,5	5
33	48	42	48	3	49,7	42,5	21,5	3,5	5
35	50	44	50	3	51,7	42,5	21,5	3,5	5
38	56	49	56	4	57,7	45	24	4	6
40	58	51	58	4	59,7	45	24	4	6
43	61	54	61	4	62,7	45	24	4	6
45	63	56	63	4	64,7	45	24	4	6
48	66	59	66	4	67,7	45	24	4	6
50	70	62	70	4	71,7	47,5	25	4	6
53	73	65	73	4	74,7	47,5	25	4	6
55	75	67	75	4	76,7	47,5	25	4	6
58	78	70	78	4	80,5	52,5	28	4	6
60	80	72	80	4	82,5	52,5	28	4	6
63	83	75	83	4	85,5	52,5	28	4	6
65	85	77	85	4	87,5	52,5	28	4	6
68	90	81	90	4	92,5	52,5	28	4	6
70	92	83	92	4	94,5	60	34	6	8
75	97	88	97	4	100,5	60	34	6	8
80	105	95	105	4	108,5	60	34	6	8
85	110	100	110	4	113,5	60	34	6	8
90	115	105	115	4	118,5	65	39	10	8
95	120	110	120	4	123,5	65	39	10	8
100	125	115	125	4	128,5	65	39	10	8



Mechanical seal **AAS-FS**

Temperature: -20°C-180°C

Pressure: ≤ 1.4 mpa

Speed: ≤ 15 m/sec

Materials

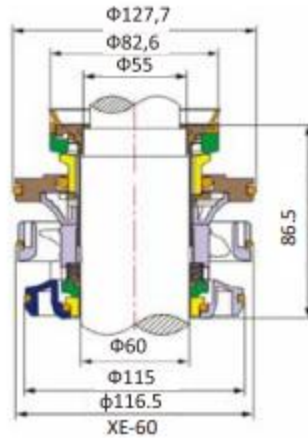
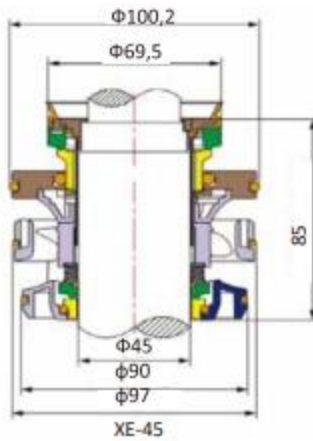
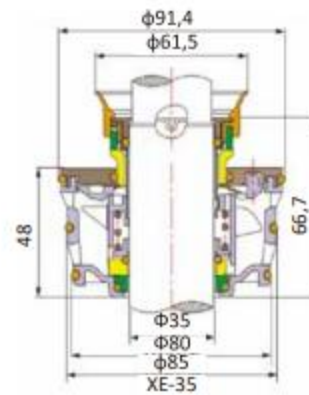
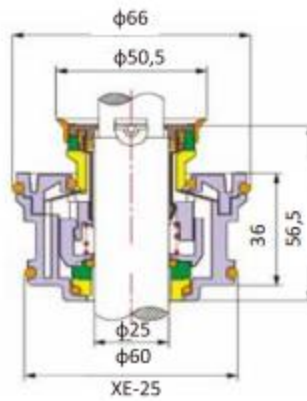
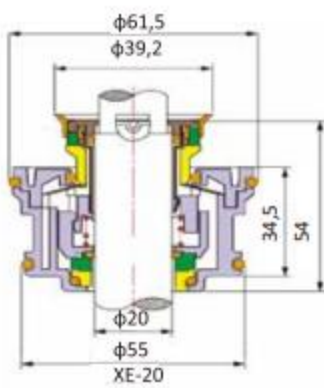
Rotary ring: TC.

Stationary ring: TC.

Bellows: NBR / EPDM / VITON.

Spring: SSS304 / SS316.

Metal parts: SS304 / SS316.



Mechanical seal AAS-FS

Used in Flygt pumps and Grindex

Analogue: ITT

Mechanical seal AAS-LW

Temperature: -20°C~220°C

Pressure: ≤ 0.5 mpa

Speed: ≤ 20 m/sec



Materials

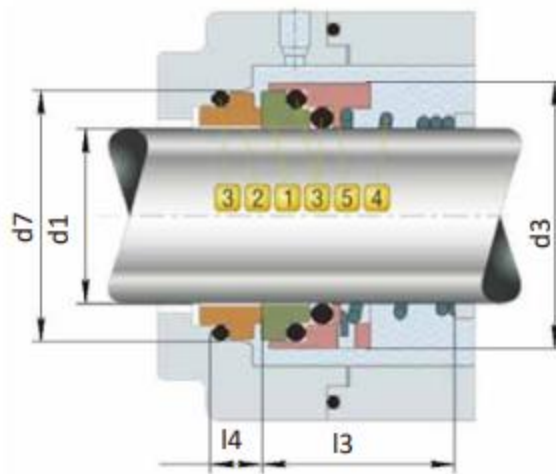
Rotary ring: Carbon

Stationary ring: SIC

Bellows: NBR / EPDM / VITON.

Spring: SSS304 / SS316.

Metal parts: SS304 / SS316.



	d1	d3	d6	d7	L3	L4
	d6	Max		H8	± 0.5	
AAS-LW-12	12	22	19	23	25.5	7
AAS-LW-16	16	29	23	27	28	7

Mechanical seal AAS-LW

Used in Lowara pumps of the SV, e-SV series.

Mechanical seal **AAS-GEA**

Temperature: -20°C~200°C

Pressure: ≤ 2.5 mpa

Speed: ≤ 25 m/sec



Materials

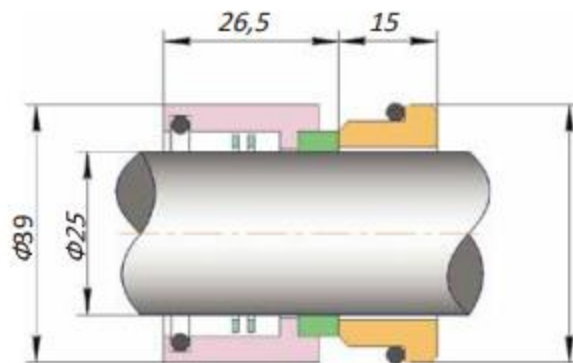
Rotary ring: SiC/Carbon

Stationary ring: SiC/TC

Bellows: VITON/EPDM/NBR.

Spring: SSS304 / SS316.

Metal parts: SS304 / SS316.



Seal with arbitrary rotation direction AAS-GEA

Seal for high-viscosity media. The springs of the BSH series end seals are reliably protected from contact with the medium, so these seals are ideal for highly viscous media and media with solid particles, for example in the sugar and paper industry or waste water. Strong, reliable, without sticking and clogging of springs.

Analog of mechanical seals: Burgmann HJ92N, Anga US.

Mechanical seal AAS-QY

Temperature: -40°C~150°C

Pressure: ≤ 1 mpa

Speed: ≤ 25 m/sec



Materials

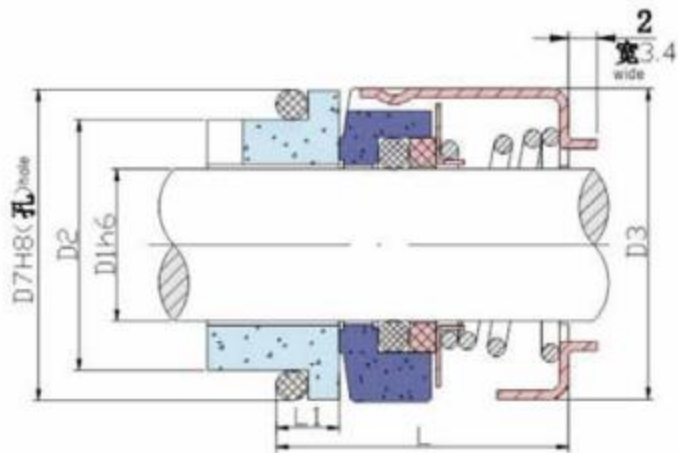
Rotary ring: Carbon / SIC / TC

Stationary ring: SIC / TC.

Bellows: NBR / EPDM / VITON.

Spring: SS304 / SS316/2205

Metal parts: SS304 / 2205



AASQY	D1	D2	D3	D7	L	L1
AASQY-15	15	23.5	32.5	28	24	7
AASQY-17	17	25.5	34.5	32	25	7
AASQY-20	20	31.5	37.5	38	28	9

Mechanical seal AAS-GX/GY

Temperature: 0°C~180°C

Pressure:(GX) ≤0.8 mpa/(GY)≤4mpa

Speed: ≤3000r/min

Materials

Rotary ring: Ceramics / TC

Stationary ring: SIC / TC.

Bellows: NBR / VITON.

Spring: SS304 / SS316.

Metal parts: SS304 / SS316.

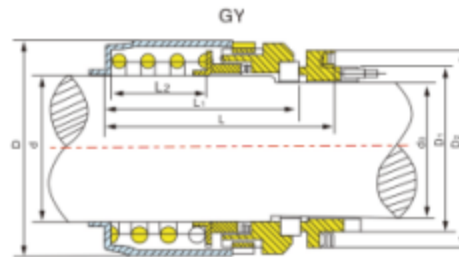
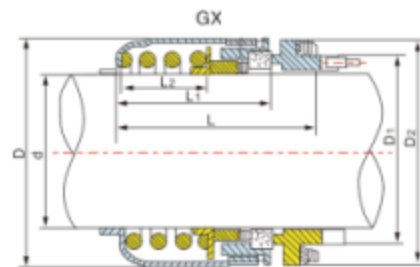


AAS-GX

d	D	D1	D2	L	L1	L2
30	52	40	50	48	35	15
35	57	45	55	50	37	17
40	62	50	60	53	40	20
45	67	55	65	58	45	25
50	72	60	70	63	48	28
55	77	65	75	65	50	30
60	82	70	80	65	50	30
65	92	78	90	72	55	35
70	97	83	95	74	57	37
75	102	88	100	74	57	37
80	107	93	105	81	62	42
85	112	98	110	81	62	42
90	117	103	115	82	63	43

AAS-GY

d	d0	D	D1	D2	L	L1	L2
30	23	52	38	46	56	45	15
35	28	57	40	50	60	47	17
40	32	62	45	55	63	50	20
45	37	67	50	60	68	55	25
50	42	72	55	65	71	58	28
55	46	77	60	70	75	60	30
60	51	82	65	75	75	60	30
65	56	92	75	85	83	67	35
70	60	97	78	90	86	69	37
75	65	102	83	95	86	69	37
80	70	107	88	100	91	74	42
85	75	112	91	105	93	74	42
90	80	117	98	110	94	75	43



Mechanical seal AAS-GX/GY

AAS-GX

GX series is built-in. Single face. is to rely on the transmisson to drive the mechanical seal
 · is not balanced

AAS-GY

GY series is built-in. Single face. is to rely on the transmisson to drive the mechanical seal
 · is not balanced

Medium:

motor oil. gasoline. weak acid. weak base
 · a little of particulate contamination.



Mechanical seal **AAS-FOID**

Temperature: 20°C~230°C

Pressure: ≤1 mpa

Speed: ≤10m/sec

Materials

Rotary ring: Carbon/SiC/TC

Stationary ring: SiC/TC

Bellows: NBR / EPDM / VITON

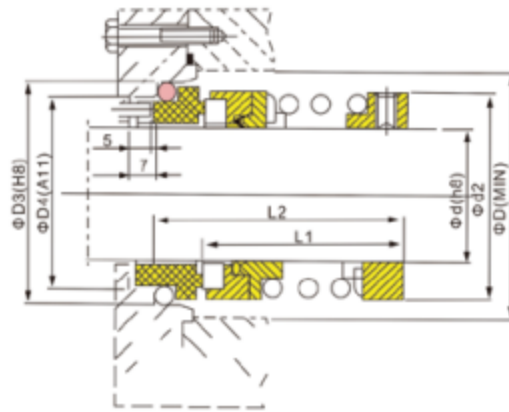
Spring: SS304 / SS316.

Metal parts: SS304 / SS316.

Mechanical seal AAS-FOID

Medium:

Oil, water, salt, alkali, organic solution, etc



d	d2	D	D3	D4	L1	L2
35	57	60	55	45	49	64
40	62	65	60	50	52	67
45	67	70	65	55	57	72
50	72	75	70	60	60	76
55	77	80	75	65	62	77
60	82	85	80	70	62	77
65	91	95	89	79	67	82
70	96	100	94	84	69	84
75	101	105	99	89	69	84
80	106	110	104	94	74	91
85	111	115	109	99	76	93
90	116	120	114	104	77	94
95	121	125	119	109	77	94
100	126	130	124	114	77	94



Mechanical seal **AAS-527**

Temperature: 20°C~230°C

Pressure: ≤1 mpa

Speed: ≤10m/sec

Materials

Rotary ring: SIC/TC

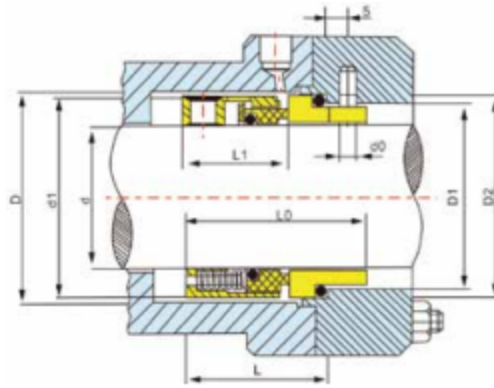
Stationary ring: SIC/TC

Bellows: NBR / EPDM / VITON

Spring: SS304 / SS316.

Metal parts: SS304 / SS316.

AAS527	d	d1	D	D1	D2	L	L1	L0
18	18	32	34	27	33	31	21	38
20	20	34	36	29	35	31	21	38
22	22	36	38	31	37	31	21	38
24	24	38	40	33	39	34	24	41
25	25	39	41	34	40	34	24	41
28	28	42	44	37	43	34	24	41
30	30	44	46	39	45	35	25	42
32	32	46	48	42	48	35	25	42
33	33	47	49	42	48	35	25	42
35	35	49	51	44	50	35	25	42
38	38	54	58	49	56	39	28	46
40	40	56	60	51	58	39	28	46
43	43	59	63	54	61	39	28	46
45	45	61	65	56	63	39	28	46
48	48	64	68	59	66	39	28	46
50	50	66	70	62	70	41	28	48
53	53	69	73	65	73	41	28	48
55	55	71	75	67	75	41	28	48
58	58	78	83	70	78	42	29	49
60	60	80	85	72	80	42	29	49
63	63	83	88	75	83	45	32	52
65	65	85	90	77	85	45	32	52
68	68	88	93	81	90	48	32.7	55
70	70	90	95	83	90	48	32.7	55
75	75	99	104	88	97	52	36.7	59
80	80	104	109	95	105	52	36.3	59
85	85	109	114	100	110	52	36.3	59
90	90	114	119	105	110	55	39.3	62
95	95	119	124	110	120	55	39.3	62
100	100	124	129	115	125	55	39.3	62



Mechanical seal AAS-527

AAS-527

Single face / Is not balanced/ Arbitrary direction of rotation / More spring design

Mechanical seal AAS-126

Temperature: -20°C~150°C

Pressure: ≤ 1.2 mpa

Speed: ≤ 3000 r/min



Materials

Rotary ring: TC

Stationary ring: TC

Bellows: VITON

Spring: SS304 / SS316.

Metal parts: SS304 / SS316.

Mechanical seal AAS-126

Profile

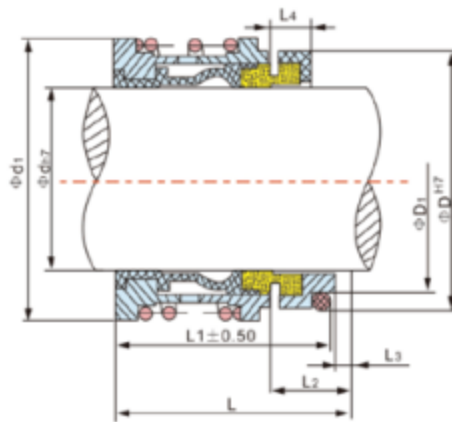
126 series sealing belongs to a built-in type, internal flow, single face, not balanced structure. Its main features:

1: use in sicchuan will spring, corrugated ring, ring, transmission and combination within the ring seat, make each parts of a whole, convenient installation, use more convenient.

2: this series use corrugated packing ring, solved the pump shaft after long-term use in medium, because of the pump shaft corrosion rust o-rings can not move freely on the pump shaft, causing the seals cannot be compensated by wear and leakage.

3: this series of seal corrugated sealing ring is used to pump pump shaft sealing surface caused by the up move off, the seal failure.

4: this series of seals in the scope of its use, can greatly increase the service life of the pump.



AAS126	d	d1	D	D1	L	L1	L2	L3	L4
	30	52	45	39	51	45	19	5	7.5
	35	57	50	44	53	47	20	5	7.5
	40	64	58	51	58	52	20	5	9.0
	45	72	63	56	62	56	20	5	9.0
	50	76	70	62	64	57	22	6	9.5
	55	82	75	67	64	57	22	6	11.0
	60	86	80	72	65	58	22	6	11.5
	65	91	85	77	68	61	23	6	11.5
	70	100	92	83	69	62	25	6	11.5
	75	105	97	88	71	64	25	6	11.5
	80	115	105	95	72	65	25	6	12.0

Mechanical seal AAS-122

Temperature: -20°C~180°C

Pressure: ≤ 1.2 mpa

Speed: ≤ 15 m/sec

Materials

Rotary ring: Carbon / SIC/TC

Stationary ring: SIC/TC

Bellows: NBR / EPDM / VITON

Spring: 304 / 316L

Metal parts: 304 / 316L

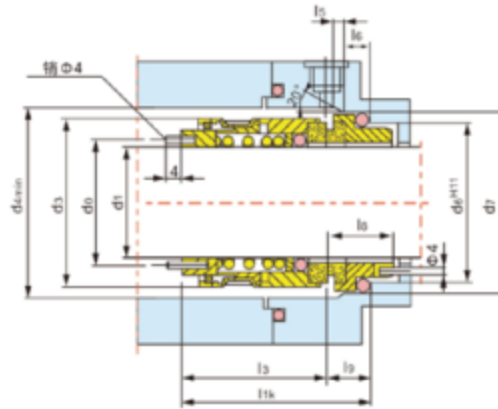


Mechanical seal AAS-122

AAS-122

Single face / Is not balanced / Arbitrary direction of rotation

Series 122, compact structure, the use of pin and concave and convex transmission, and easy installation and use, widely used in centrifugal pump, chemical pump and various of weak corrosive condition.



d1	d0	d3	d4	d6	d7	l1k	l3	l5	l6	l8	l9
20	26	36	38	29	35	36.5	24.5	2.0	5	19	12
25	31	42	44	34	40	40	28	2.0	5	19	12
30	35	46	48	39	45	43	31	2.0	5	19	12
35	41	53	55	44	50	46	33	2.0	5	20	13
40	46	60	62	51	58	50	37	2.0	6	20	13
45	52	65	67	56	63	54	41	2.0	6	20	13
50	56	71	73	62	70	55	40	2.5	6	22	15
55	62	76	79	67	75	57	42	2.5	6	22	15
60	67	82	85	72	80	58	43	2.5	6	22	15
65	72	87	90	77	85	60	44	2.5	6	23	16
70	77	93	96	83	92	63	45	2.5	7	25	18
75	82	99	102	88	97	65	47	2.5	7	25	18
80	87	108	111	95	105	65	47	2.5	7	25	18



Mechanical seal AAS-105/105B

Temperature: -45°C~200°C

Pressure: (105) ≤ 0.8 mpa / (105B) ≤ 1.6 mpa

Speed: ≤ 25m/sec

Materials

Rotary ring: SIC/TC

Stationary ring: SIC/TC

Bellows: NBR / EPDM / VITON

Spring: 304 / 316L

Metal parts: 304 / 316L

d	d0	D	D2	D3	D1	L1	L2	L3	L4
35	28	57	45	55	60	38	53	48	63
40	34	62	50	60	65	38	53	48	63
45	38	67	55	65	70	39	54	49	64
50	44	72	60	70	75	39	54	49	64
55	48	77	65	75	80	39	54	49	64
60	52	82	70	80	85	39	54	49	64
65	58	91	80	90	95	44	62	51	69
70	62	96	85	97	100	44	65	54	75
75	66	101	90	102	105	44	65	54	75
80	72	106	95	107	110	44	65	54	75
85	76	111	100	112	115	46	67	56	77
90	82	116	105	117	120	46	67	56	77
95	85	121	110	122	125	46	67	56	77
100	90	126	115	127	130	46	67	56	77
110	100	140	130	142	145	51	74	63	86

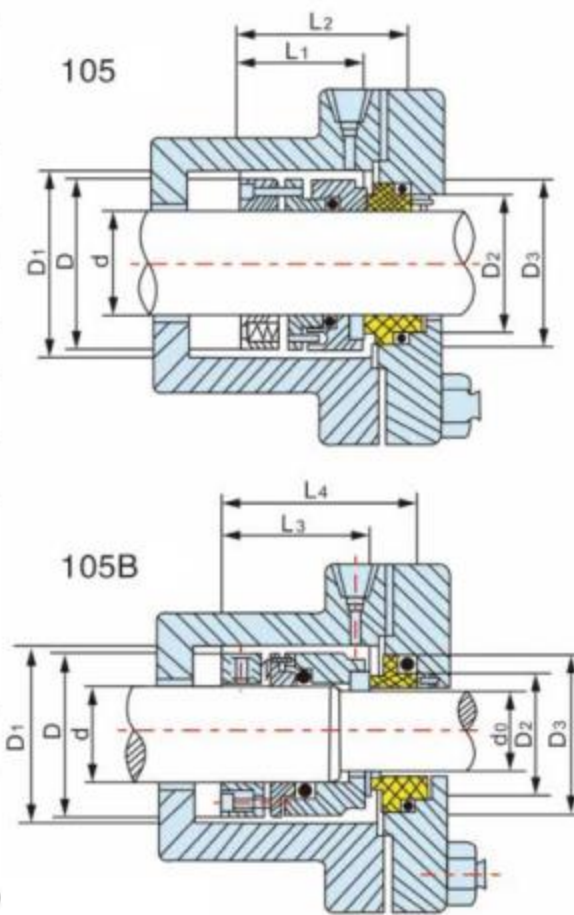
Mechanical seal AAS-105/105B

AAS-105/105B

105 Type: built-in, Single face, a plurality of springs, unbalanced type, drive screw drive.

105B type: built-in, Single face, a plurality of springs, balanced, drive.

Media objects: gasoline, kerosene, diesel oil, gas oil, crude oil, heavy oil, acetone, benzene, ether, pyridine, phenol, dilute nitric acid, concentrated sulfuric acid, acetic acid, urea, lye, water and the like.





Mechanical seal AAS-XJ

Temperature: -30°C~200°C

Pressure: ≤ 1 mpa

Speed: ≤ 12 m/sec

Materials

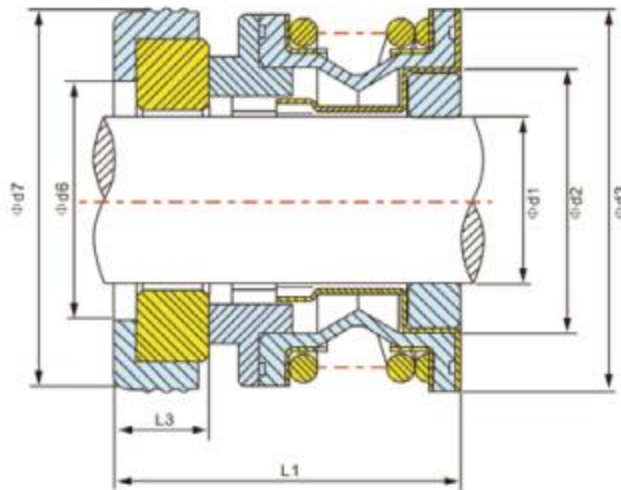
Rotary ring: Carbon / SIC/TC

Stationary ring: ceramics/SIC/TC

Bellows: NBR / EPDM / VITON

Spring: SS304 / SS316

Metal parts: SS304/ SS316



	d1	d7	d3	d6	d2	L1	L3
XJ-3/8"	9.52	22.225	23.8	14.3	17.42	22.22	6.20
XJ-2/1"	12.70	25.40	26.97	17.45	20.63	22.80	6.20
XJ-5/8"	15.875	30.10	30.94	20.63	23.80	26.50	8.70
XJ-5/8"H	15.875	31.75	30.94	20.63	23.80	30.00	10.30
XJ-3/4"	19.05	34.925	34.11	23.80	26.87	30.00	10.30
XJ-1"	25.40	41.275	42.85	30.15	33.33	31.73	11.10



Mechanical seal **AAS-FT/SB**

Temperature: -30°C~200°C

Pressure: ≤ 0.5 mpa

Speed: ≤ 15 m/sec

Materials

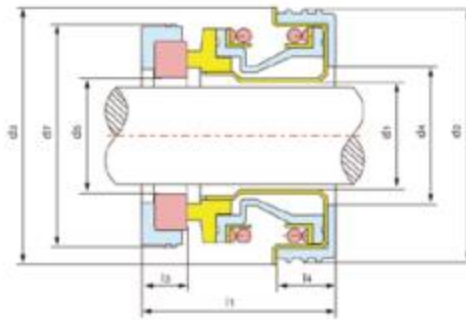
Rotary ring: Carbon / SIC/TC

Stationary ring: Ceramics/SIC/WC

Bellows: NBR / EPDM / VITON

Spring: SS304 / SS316

Metal parts: SS304/ SS316



AAS-FT	Shaft(mm)	d1	d2	d3	D4	D5	D7	l1	l3	l4
	10	11	27	29	15	12	23	18	4	10.5
	12	14.2	32	32	50	14	25	19.2	5	8.5
	16	18.2	41	41.5	22	18	31	21.8	5	9.5
	20	21.2	45	43.8	30	21	35	22.5	5	11.0
	25	26.4	52	51	35	26	44	27	7	14.5
	30	31	58	57	40	32	48	29	8	12.5

AAS-SB	d1(mm)	d2	d3	d7	l1	l3	l4
12S	12	26	32	18	20.8	6.8	8.0
12	12	30	35	24	19.5	4.5	9.5
13	13	30	38	25	18.7	5.0	8.5
15S	15	30	41.3	21.5	22.8	6.8	9.0
17S	17	35	41.3	25	27.0	7.5	9.0
20	20	40	43.8	36	29.5	7.0	10.5
25	25	50	51	42	31.5	8.0	13.5
28	28	54	57	45	31.5	7.5	14.5
30	30	54	57	45	32.2	8.2	14.5



Mechanical seal AAS-301

Temperature: -20°C~100°C

Pressure: ≤0.3 mpa

Speed: ≤10m/sec

Materials

Rotary ring: Carbon / SIC/TC

Stationary ring: Ceramics/SIC/WC

Bellows: NBR / EPDM / VITON

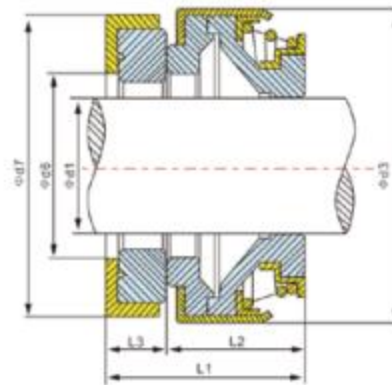
Spring: SS304 / SS316

Metal parts: SS304/ SS316

Mechanical seal AAS-301

Medium:

Water,oil,weak corrosive medium



AAS301	d1	d3	d7	L1	L2	L3	AAS301	d1	d3	d7	L1	L2	L3
- 6	6	18	22	15	11	4	- 22P	22	39	42	21	13	8
- 8	8	18	22	15	11	4	- 22	22	42	45	23	13	10
- 8L	8	24	26	19	11	8	- 23	23	47	50	23.5	13.5	10
- 10	10	24	26	19	11	8	- 24	24	47	50	23.5	13.5	10
- 11	11	24	26	21	13	8	- 25P	25	47	50	23.5	13.5	10
- 12	12	24	26	21	13	8	- 25	25	42	45	23	13	10
- 13	13	24	26	18.5	13	5.5	- 26	26	47	50	23.5	13.5	10
- 14P	14	27	28.5	21	13	8	- 27	27	47	50	23.5	13.5	10
- 14	14	32	29.5	21	13	8	- 28	28	54	57	23.5	15	10
- 15P	15	27	30	21	13	8	- 30	30	54	57	25	15	10
- 15	15	32	29.5	21	13	8	- 32	32	54	57	25	15	10
- 16P	16	27	30	21	13	8	- 35	35	60	63	26	16	10
- 16	16	32	29.5	21	13	8	- 38	38	65	68	30	18	12
- 16L	16	39	42	21	13	8	- 40	40	65	68	30	18	12
- 17	17	39	42	21	13	8	- 45	45	70	76	32	20	12
- 18	18	39	42	21	13	8	- 50	50	85	88	38	23	15
- 19	19	39	42	21	13	8	- 55	55	85	88	38	23	15
- 20P	20	35	38	21	13	8	- 60	60	105	110	45	30	15
- 20	20	39	42	21	13	8	- 65	65	105	110	45	30	15
- 20L	20	42	45	23	13	10	- 70	70	105	110	47	32	15



Mechanical seal **AAS-104Q**

Temperature: -20°C~150°C

Pressure: ≤ 0.8 mpa

Speed: ≤ 3000 r/min

Materials

Rotary ring: Carbon / SIC/TC

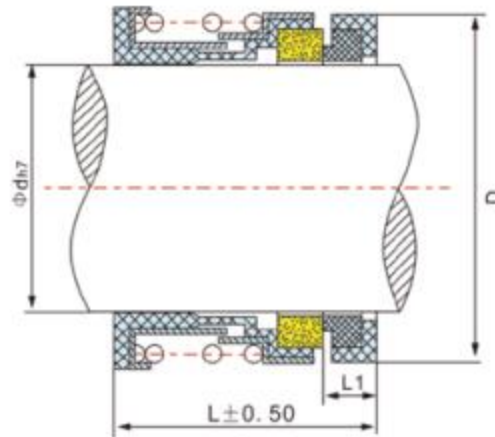
Stationary ring: Ceramics/SIC/R

Bellows: NBR / EPDM / VITON

Spring: SS304 / SS316

Metal parts: SS304/ SS316

AAS104Q	d	D	L	L1
-11	11	24	20	5.5
-12	12	24	20	5.5
-14	14	26	25	6.5
-15	15	28	25	6.5
-16	16	28	25	7.0
-17	17	34	25	7.0
-18	18	34	25	7.0
-19	19	36	25	7.0
-20	20	36	25	7.0
-22	22	38	25	7.0
-25	25	41	37	9.0
-30	30	46	37	9.0
-35	35	51	37	9.0
-40	40	60	40	10.0
-45	45	65	40	10.0



Mechanical seal AAS-104Q

Profile

Single face / Is not balanced / Arbitrary direction / Rubber bellows.

Medium:

Water, sewage, oil and other weak corrosive liquid



Mechanical seal **AAS-2500**

Temperature: -20°C~200°C

Pressure: ≤ 1.2 mpa

Speed: ≤ 25 m/sec

Materials

Rotary ring: SIC/TC

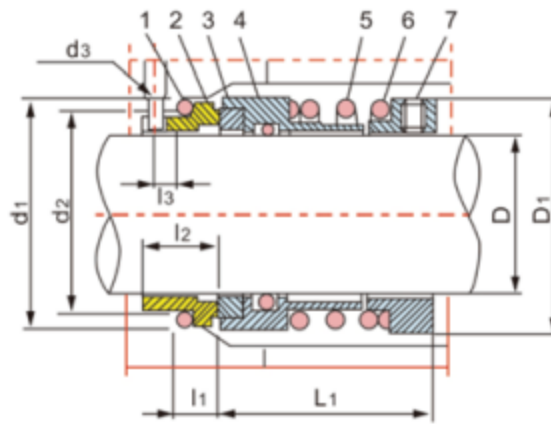
Stationary ring: Carbon / SIC/TC

Bellows: VITON

Spring: SS304 / SS316

Metal parts: SS304/ SS316

AAS2500	D	D1	d2	d1	d3	L1	L1	L3	
	20	20	34	29	35	3	41	13	5
	22	22	36	31	37	3	41	13	5
	24	24	38	33	39	3	43	13	5
	25	25	39	34	40	3	43	13	5
	28	28	42	37	43	3	45	13	5
	30	30	44	39	45	3	45	13	5
	32	32	46	42	48	3	45	13	5
	33	33	47	42	48	3	45	13	5
	35	35	49	44	50	3	49	13	5
	38	38	54	50	56	4	53	13	5
	40	40	56	52	58	4	55	13	5
	43	43	59	55	61	4	55	13	5
	45	45	61	57	63	4	55	13	5
	48	48	64	60	66	4	55	13	5
	80	50	66	62	68	4	60	13	5
	53	53	69	65	71	4	61	13	5
	55	55	71	67	73	4	61	13	5
	58	58	76	70	79	4	63	16	5
	60	60	78	72	81	4	63	16	5
	63	63	81	75	84	4	63	16	5
	65	65	83	77	86	4	67	16	5
	68	68	86	81	90	4	67	16	5
	70	70	90	83	92	4	68	16	5
	75	75	95	88	97	4	72	16	5
	80	80	100	96	105	4	72	16	5
	85	85	105	101	110	4	77	16	5
	90	90	110	106	115	4	77	16	5
	95	95	115	111	120	4	82	16	5
	100	100	120	116	125	4	82	16	5



Mechanical seal AAS-2500

Profile

Single face / Is not balanced / Fork type transmission / Arbitrary direction of rotation / Stationary ring can choose single static ring or double static ring

Using a combination of a variety of materials available and the end of broad needs of chemical pumps, pump printing, dyeing and finishing equipment.

Mechanical seal AAS-171

Temperature: 0°C~150°C

Pressure: ≤ 1.2 mpa

Speed: ≤ 20 m/sec

Materials

Rotary ring: TC

Stationary ring: TC

Bellows: VITON

Spring: SS304 / SS316

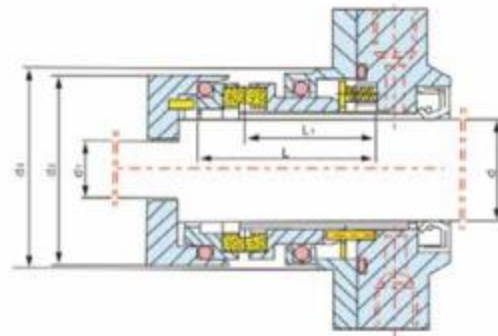
Metal parts: SS304/ SS316



Mechanical seal AAS-171

Profile

The seal is a built-in type, single face, more spring motionless balanced type mechanical seal, GB6556 standard, widely used in alkali pump (the series products of the company and hangzhou alkali pump matching) .



AAS171	d (h6)	d1 (h6)	d2	d3	L	L1
	35	20	64	68	72	40.5
	45	32	75	79	75	39.5
	50	35	80	85	74	40.5
	55	40	85	90	88	44.5
	60	50	90	95	81.5	39

Mechanical seal AAS-224

Temperature: -20°C~150°C

Pressure: ≤ 0.8 mpa

Speed: ≤ 3000 r/min



Materials

Rotary ring: TC/SIC

Stationary ring: TC/SIC

Bellows: VITON

Spring: SS304 / SS316

Metal parts: SS304/ SS316

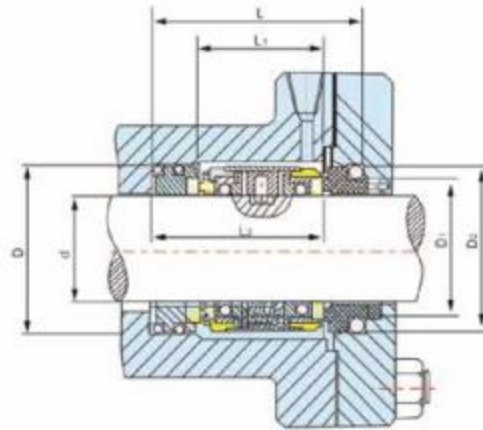
Mechanical seal AAS-224

Profile:

Double face · Small spring · is to rely on the transmission to drive the mechanical seal · Is not balanced · corrosion resistant.

Medium:

The product requires a cooling device washed and circulate as soon as possible, according to the working conditions can choose the most reasonable friction. in support the use of chemical pump ISO2858, stable and reliable work long hours.



AAS224	d	D	D1	D2	L	L1	L2
	35	51	44	50	87	54	74
	40	60	50	58	99	62	86
	45	65	55	63	99	62	86
	50	70	62	70	99	62	86
	55	75	67	75	105	62	86
	60	85	72	80	105	62	90
	65	89	77	85	105	62	90
	70	95	84	92	105	63	90
	75	102	87	97	105	63	88
	80	107	92	105	105	63	88
	85	112	100	110	105	63	88